

OEM Instrument Transformer Reference

Meter and Relay Applications



ABB

GENERAL INDEX GUIDE

600 VOLT CURRENT TRANSFORMERS

Primary Current	Window Diameter (in.)	Type	Product Bulletin	Page Number
50 to 1000	2.5	IMC	1VAP428101-DB	2-3
600 to 4000	5.5	CLC	1VAP428241-DB	2-3
1000 to 6000	8.25	CLE	1VAP428261-DB	4-5
600 to 4000	5.5	RLC	1VAP428281-DB	6-9
200 to 4000	4.25	SCE	1VAP428631-DB	10-11
200 to 3000	4.0	SCN	1VAP428661-DB	10-11
200 to 3000	4.0	SCN-D	1VAP428661-DB	12-13
50 to 1000	1.5-3.75	SCH	1VAP428641-DB	14-17
50 to 4000	2.25-4.62	SCG	1VAP428651-DB	16-19
200 to 4000	5.75	SCM	1VAP428681-DB	20-21
200 to 4000	5.75	SCL	1VAP428671-DB	20-21
200 to 4000	5.75	SCL-D	1VAP428671-DB	22-23
200 to 5000	5.75	SCO	1VAP428691-DB	22-23
50 to 5000	5.5 & 6.5	RCI	1VAP428811-DB	24-25
200 to 4000	4.5 & 5.25	SCB	1VAP428831-DB	26-27
200 to 4000	4.5	RCB	1VAP428851-DB	28-29
200 to 4000	5.75	SCA	1VAP428821-DB	30-31
200 to 4000	5.75	RCA	1VAP428841-DB	32-33
200 to 4000	3.05 & 3.8	SCJ	1VAP428861-DB	34-35
100 to 2500	1.63 & 2	SCS	1VAP428871-DB	36-37
50 to 6000	6.0 & 8.13	SCP	1VAP428881-DB	38-39
50 to 6000	6.0 & 8.13	SCD	1VAP428801-DB	40-41
2000 to 10000	10.0	RCF	1VAP428891-DB	42-43
2000 to 10000	10.0	RCF-D	1VAP428891-DB	42-43
1000 to 6000	N/A	DSM	1VAP428621-DB	44-45
50 to 100	4.75	BYZ	1VAP428561-DB	46-47
50 to 100	7.25	BYZ-S	1VAP428611-DB	46-47
50 to 100	5.0	BYZ-O	1VAP428612-DB	48-49
50 to 500	8.06 x 20.06	BYZ-L	1VAP428613-DB	48-49
75 to 6000	6.5	SCV	1VAP428601-DB	50-51
50 to 6000	6.5	SCV-D	1VAP428602-DB	52-53
50 to 5000	5.25	SAB-1	1VAP428781-DB	54-55
50 to 5000	6.5	SAB-2	1VAP428781-DB	54-55
1500 to 5000	5.25	SAB-1D	1VAP428781-DB	56-57
1500 to 5000	6.5	SAB-2D	1VAP428781-DB	56-57
50 to 4000	7.02	SCR	1VAP428791-DB	58-59
50 to 4000	7.02	SCR-D	1VAP428791-DB	60-61
Multi-ratio	N/A	AUX	1VAP428501-DB	62-63
50 to 4000	4.0-7.0	RCT	1VAP428541-DB	64-65
150 to 4000	4.0-7.0	RTL	1VAP428551-DB	66-67

Primary Voltage/Current	Class	Type	Product Bulletin	Page Number
-------------------------	-------	------	------------------	-------------

600 VOLT VOLTAGE TRANSFORMERS

60 to 600	Indoor	PPW & PPD	1VAP428711-DB	68-69
40 to 600	Indoor/Outdoor	PPM & PPX	1VAP428731-DB	70-71

5 kV - 36 kV CURRENT TRANSFORMERS

75 to 4000	5 kV Indoor	AB-5	1VAP429091-DB	72-73
5 to 1200	15 kV Indoor	KIR-60, 75	1VAP429141-DB	74-75
5 to 1200	15 kV Indoor	KIR-11 & KIR-11E	1VAP429141-DB	76-79
400 to 4000	5-25 kV Indoor	KIT-60, 75, 11, 15	1VAP429151-DB	80-83
600 to 4000	5-25 kV Outdoor	KOT-60, 75, 11, 15	42-930	84-87
400 to 5000	15-36 kV Outdoor	KOTD-110, 150, 200	42-940	88-99

5 kV - 36 kV VOLTAGE TRANSFORMERS

2400 to 4800	5 kV Indoor	VIY-60	1VAP429511-DB	100-101
2400 to 14400	8.7 & 15 kV Indoor	VIZ-75, 11	1VAP429551-DB	102-105
2400 to 14560	15 kV Indoor	VIL-95, 95S	1VAP429581-DB	106-107
7200 to 24000	25 kV Indoor	VIL-12, 12S	1VAP429581-DB	108-109
14400 to 24000	25 kV Indoor	VIZ-12, 12G	1VAP429762-DB	110-111
14400 to 24000	25 kV Indoor	VIZ-15, 15G	1VAP429761-DB	112-113
18000 to 24000	25 kV Indoor	VIZZ-15, 15G	1VAP429591-DB	114-115
20125 to 34500	36 kV Indoor	VIZ-20, 20G	1VAP429601-DB	116-117
7200 to 24940	25 kV Outdoor	VOY-15, 15G	1VAP429701-DB 42-970	118-119
14400 to 34500	36 kV Outdoor	VOY-20, 20G	1VAP429741-DB 42-974	120-121
20125 to 34500	36 kV Outdoor	VOHD-200, 200G	42-977	122-123
14400 to 24000	25 kV Outdoor	VOZZ-15, 15G	1VAP429781-DB	122-123
20125 to 34500	36 kV Outdoor	VOZZ-20, 20G	42-979	124-125
2400 to 14400	5 kV & 15 kV	CPT-IK-5	1VAP600001-DB	126-127
2400 to 14400	5 kV & 15 kV	CPT-IK-10, CPT-IK-15	1VAP600002-DB	128-131

Circuit Breaker Application Guide	132-133
Cross Reference	134-135
Standard Current Transformer Multi-ratio Taps	136
Accuracy Standards	136

600 V CURRENT TRANSFORMERS

TYPE IMC

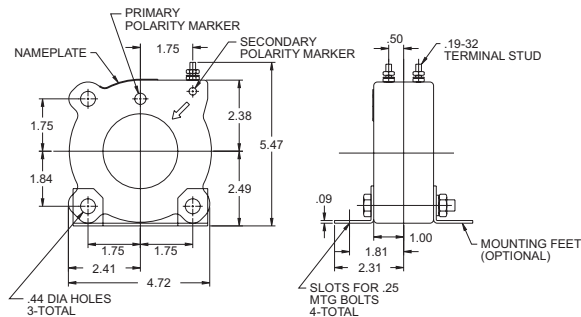
1VAP428101-DB

600 Volts
Indoor
10 kV BIL
 25-400 Hertz
 Mechanical Rating:
 180 x Normal



UL Recognized Component

Optional accessory: Mounting Feet (set of 2) Style 9628A05G01



TYPE IMC

Primary Amps	Style Number	Rating Factor		IEEE Metering Accuracy			Thermal Rating (x normal, 1 sec)	Weight (lb.)
		30°C	55°C	B-0.1	B-0.2	B-0.5		
50	7524A98G11	2.0	1.5	2.4	-	-	100	3.5
100	7524A98G01	2.0	1.5	1.2	-	-	100	3.5
150	7524A98G02	2.0	1.5	1.2	1.2	-	100	3.5
200	7524A98G03	2.0	1.5	0.6	1.2	2.4	100	3.5
250	7524A98G04	2.0	1.5	0.6	1.2	2.4	100	3.5
300	7524A98G05	2.0	1.5	0.6	0.6	0.6	100	3.5
400	7524A98G06	2.0	1.5	0.6	0.6	0.6	100	3.5
500	7524A98G07	2.0	1.5	0.3	0.3	0.6	100	3.5
600	7524A98G08	1.5	1.2	0.3	0.3	0.6	80	3.5
800	7524A98G09	1.33	1.0	0.3	0.3	0.3	60	3.5
1000	7524A98G10	1.0	0.75	0.3	0.3	0.3	50	3.5

TYPE CLC

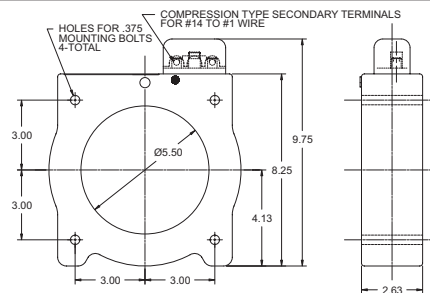
1VAP428241-DB

600 Volts
Indoor
10 kV BIL
 25-400 Hertz
 Mechanical Rating:
 180 x Normal



UL Recognized Component

Optional accessory: Mounting Feet Style 9628A05G20



Primary Amps	Style Number	Rating Factor		IEEE Metering Accuracy					Relay Accuracy	Weight (lb.)
		30°C	55°C	B-0.1	B-0.2	B-0.5	B-0.9	B-1.8		
600	7524A58G16	3.0	2.2	0.3	0.3	0.3	-	-	C30	11
800	7524A58G01	2.0	1.5	0.3	0.3	0.3	-	-	C30	11
1000	7524A58G02	2.0	1.5	0.3	0.3	0.3	-	-	C50	11
1200	7524A58G03	2.0	1.5	0.3	0.3	0.3	0.3	-	C30	11
1500	7524A58G04	3.0	2.2	0.3	0.3	0.3	0.3	-	C30	11
2000	7524A58G05	2.0	1.5	0.3	0.3	0.3	0.3	0.3	C50	11
3000	7524A58G06	1.5	1.2	0.3	0.3	0.3	0.3	0.3	C10	11
4000	7524A58G07	1.33	1.0	0.3	0.3	0.3	0.3	0.3	-	11
600/1200	7524A58G08	3.0/2.0	2.2/1.5	0.3	0.3	-	-	-	① C10/C30	11
800/1600	7524A58G09	3.0/2.0	2.2/1.5	0.3	0.3	-	-	-	① C30/C60	11
1000/2000	7524A58G10	3.0/2.0	2.2/1.5	0.3	0.3	0.3	-	-	① C30/C50	11
1500/3000	7524A58G11	2.0/1.5	1.5/1.2	0.3	0.3	0.3	0.3	-	① -/C10	11
2000/4000	7524A58G12	2.0/1.33	1.5/1.0	0.3	0.3	0.3	0.3	0.3	① -	11

2 ① Tap Connection

600 V CURRENT TRANSFORMERS

TYPE CLE

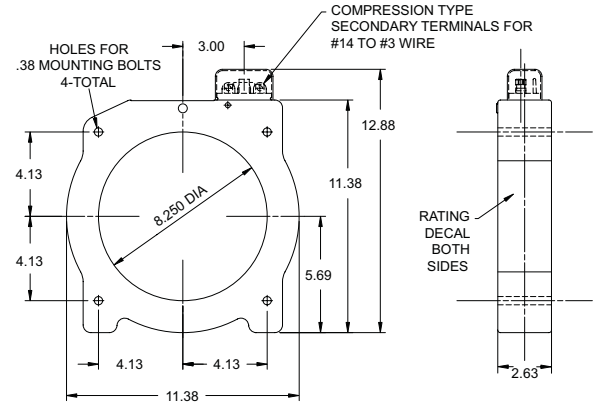
1VAP428261-DB

600 Volts
Indoor
10 kV BIL
25-400 Hertz

Mechanical Rating:
180 x Normal



UL Recognized Component



Primary Amps	Style Number	Rating Factor		IEEE Metering Accuracy					Relay Accuracy	Weight (lb.)
		30°C	55°C	B-0.1	B-0.2	B-0.5	B-0.9	B-1.8		
2000	7524A63G01	2.0	1.5	0.3	0.3	0.3	0.3	-	C50	16
3000	7524A63G02	2.0	1.5	0.3	0.3	0.3	0.3	0.3	C100	16
4000	7524A63G03	1.5	1.2	0.3	0.3	0.3	0.3	0.3	C100	16
5000	7524A63G04	1.33	1.0	0.3	0.3	0.3	0.3	0.3	C100	16
6000	7524A63G05	1.0	0.75	0.3	0.3	0.3	0.3	0.3	-	16
1000/2000	7524A63G06	3.0/2.0	2.2/1.5	0.3	0.3	0.3	-	-	C30/C50	16
				0.3	0.3	0.3	0.3	①		
1500/3000	7524A63G07	3.0/2.0	2.2/1.5	0.3	0.3	0.3	-	-	C50/C100	16
				0.3	0.3	0.3	0.3	0.3		
2000/4000	7524A63G08	2.0/1.5	1.5/1.2	0.3	0.3	0.3	0.3	-	C50/C100	16
				0.3	0.3	0.3	0.3	0.3		
2500/5000	7524A63G09	2.0/1.33	1.5/1.0	0.3	0.3	0.3	0.3	0.3	C100/C200	16
				0.3	0.3	0.3	0.3	0.3		
3000/6000	7524A63G10	1.33/1.0	1.0/0.75	0.3	0.3	0.3	0.3	0.3	-	16
				0.3	0.3	0.3	0.3	0.3		

600 V CURRENT TRANSFORMERS

TYPE RLC

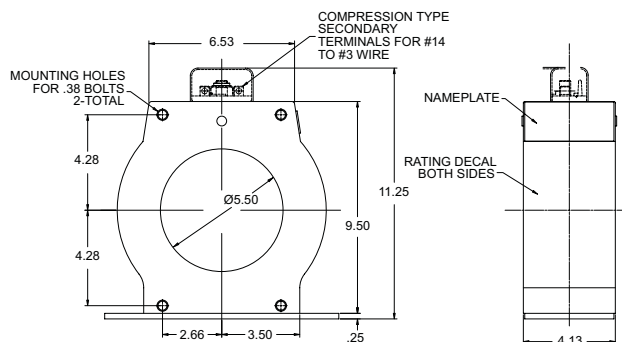
1VAP428281-DB

600 Volts
Indoor/Outdoor
10 kV BIL
25-400 Hertz

Mechanical Rating:
180 x Normal



UL Recognized Component



Primary Amps	Style Number	Rating Factor		IEEE Metering Accuracy					Relay Accuracy	Weight (lb.)
		30°C	55°C	B-0.1	B-0.2	B-0.5	B-0.9	B-1.8		

Standard RLC (Indoor)										
750	7524A52G01	2.0	1.5	0.3	0.3	0.3	-	-	C100	21
800	7524A52G02	2.0	1.5	0.3	0.3	0.3	0.3	-	C100	21
900	7524A52G03	2.0	1.5	0.3	0.3	0.3	0.3	-	C100	21
1000	7524A52G04	2.0	1.5	0.3	0.3	0.3	0.3	-	C100	21
1200	7524A52G05	2.0	1.5	0.3	0.3	0.3	0.3	0.3	C200	21
1500	7524A52G06	2.0	1.5	0.3	0.3	0.3	0.3	0.3	C200	21
2000	7524A52G07	1.5	1.2	0.3	0.3	0.3	0.3	0.3	C200	21
3000	7524A52G08	1.33	1.0	0.3	0.3	0.3	0.3	0.3	C200	21
4000	7524A52G09	1.33	1.0	0.3	0.3	0.3	0.3	0.3	C200	21
600/1200	7524A52G10	2.0/2.0	1.5/1.5	0.3	0.3	0.3	-	-	C100/C200	21
				0.3	0.3	0.3	0.3	0.3 ^①		
800/1600	7524A52G11	2.0/1.5	1.5/1.2	0.3	0.3	0.3	-	-	C100/C200	21
				0.3	0.3	0.3	0.3	0.3 ^①		
1000/2000	7524A52G12	2.0/1.5	1.5/1.2	0.3	0.3	0.3	0.3	-	C100/C200	21
				0.3	0.3	0.3	0.3	0.3 ^①		
1500/3000	7524A52G13	1.5/1.33	1.2/1.0	0.3	0.3	0.3	0.3	0.3	C100/C200	21
				0.3	0.3	0.3	0.3	0.3 ^①		
2000/4000	7524A52G14	1.5/1.33	1.2/1.0	0.3	0.3	0.3	0.3	0.3	C100/C200	21
				0.3	0.3	0.3	0.3	0.3 ^①		

Primary Amps	Style Number	Rating Factor		IEEE Metering Accuracy					Relay Accuracy	Weight (lb.)
		30°C	55°C	B-0.1	B-0.2	B-0.5	B-0.9	B-1.8		

High Relay Accuracy RLC										
1000	9625A21G01	2.0	1.5	0.3	0.3	0.3	0.3	0.3	C200	29
2000	9625A21G02	1.5	1.2	0.3	0.3	0.3	0.3	0.3	C400	29
3000	9625A21G03	1.5	1.2	0.3	0.3	0.3	0.3	0.3	C400	29
4000	9625A21G04	1.5	1.2	0.3	0.3	0.3	0.3	0.3	C400	29
1000/2000	9625A21G05	2.0/1.5	1.5/1.2	0.3	0.3	0.3	0.3	-	C200/C400	29
				0.3	0.3	0.3	0.3	0.3 ^①		
1500/3000	9625A21G06	1.5/1.33	1.2/1.0	0.3	0.3	0.3	0.3	0.3	C200/C400	29
				0.3	0.3	0.3	0.3	0.3 ^①		
2000/4000	9625A21G07	1.5/1.33	1.2/1.0	0.3	0.3	0.3	0.3	0.3	C200/C400	29
				0.3	0.3	0.3	0.3	0.3 ^①		

600 V CURRENT TRANSFORMERS

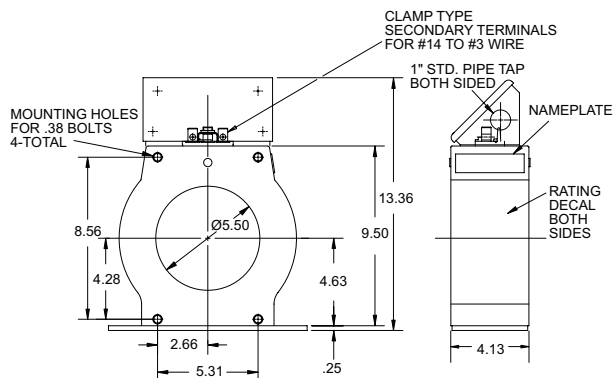
TYPE RLC CONT'D.

1VAP428281-DB

600 Volts
Indoor/Outdoor
10 kV BIL
25-400 Hertz
Mechanical Rating:
180 x Normal



UL Recognized Component



Primary Amps	Style Number	Rating Factor		IEEE Metering Accuracy					Relay Accuracy	Weight (lb.)
		30°C	55°C	B-0.1	B-0.2	B-0.5	B-0.9	B-1.8		
Standard RLC (Outdoor)										
750	7524A54G01	2.0	1.5	0.3	0.3	0.3	-	-	C100	22
800	7524A54G02	2.0	1.5	0.3	0.3	0.3	0.3	-	C100	22
900	7524A54G03	2.0	1.5	0.3	0.3	0.3	0.3	-	C100	22
1000	7524A54G04	2.0	1.5	0.3	0.3	0.3	0.3	-	C100	22
1200	7524A54G05	2.0	1.5	0.3	0.3	0.3	0.3	0.3	C200	22
1500	7524A54G06	2.0	1.5	0.3	0.3	0.3	0.3	0.3	C200	22
2000	7524A54G07	1.5	1.2	0.3	0.3	0.3	0.3	0.3	C200	22
3000	7524A54G08	1.33	1.0	0.3	0.3	0.3	0.3	0.3	C200	22
4000	7524A54G09	1.33	1.0	0.3	0.3	0.3	0.3	0.3	C200	22
600/1200	7524A54G10	2.0/2.0	1.5/1.5	0.3	0.3	0.3	-	-	C100/C200	22
				0.3	0.3	0.3	0.3	0.3 ^①		
800/1600	7524A54G11	2.0/1.5	1.5/1.2	0.3	0.3	0.3	-	-	C100/C200	22
				0.3	0.3	0.3	0.3	0.3 ^①		
1000/2000	7524A54G12	2.0/1.5	1.5/1.2	0.3	0.3	0.3	0.3	-	C100/C200	22
				0.3	0.3	0.3	0.3	0.3 ^①		
1500/3000	7524A54G13	1.5/1.33	1.2/1.0	0.3	0.3	0.3	0.3	0.3	C100/C200	22
				0.3	0.3	0.3	0.3	0.3 ^①		
2000/4000	7524A54G14	1.5/1.33	1.2/1.0	0.3	0.3	0.3	0.3	0.3	C100/C200	22
				0.3	0.3	0.3	0.3	0.3 ^①		

600 V CURRENT TRANSFORMERS

TYPE SCE

1VAP428631-DB

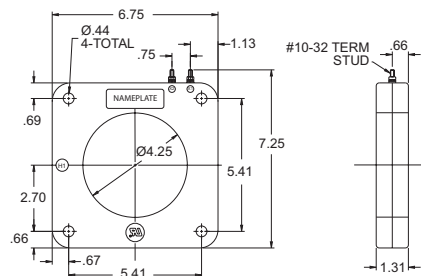
600 Volts
Indoor
10 kV BIL
25-400 Hertz
Mechanical Rating:
180 x Normal



UL Recognized Component



Optional accessory: Mounting Feet Style 9625A62G01



Primary Amps	Style Number	Rating Factor		IEEE Metering Accuracy					Relay Accuracy	Thermal Rating (x normal, 1 sec)	Weight (lb.)
		30°C	55°C	B-0.1	B-0.2	B-0.5	B-0.9	B-1.8			
200	7525A44G01	2.0	1.5	1.2	1.2	-	-	-	-	100	3.5
300	7525A44G03	2.0	1.5	0.6	0.6	1.2	2.4	-	-	100	3.5
400	7525A44G04	2.0	1.5	0.3	0.6	1.2	1.2	2.4	-	100	3.5
500	7525A44G05	2.0	1.5	0.3	0.3	0.6	1.2	2.4	-	100	3.5
600	7525A44G06	2.0	1.5	0.3	0.3	0.6	0.6	1.2	-	80	3.5
800	7525A44G08	1.5	1.0	0.3	0.3	0.3	0.6	0.6	-	60	3.5
1000	7525A44G09	1.5	1.0	0.3	0.3	0.3	0.3	0.6	-	60	3.5
1200	7525A44G10	1.33	1.0	0.3	0.3	0.3	0.3	0.6	-	60	3.5
1500	7525A44G11	1.33	1.0	0.3	0.3	0.3	0.3	0.6	-	60	3.5
1600	7525A44G12	1.33	1.0	0.3	0.3	0.3	0.3	0.6	-	60	3.5
2000	7525A44G13	1.33	1.0	0.3	0.3	0.3	0.3	0.3	-	60	3.5
2500	7525A44G14	1.33	1.0	0.3	0.3	0.3	0.3	0.3	-	60	3.5
3000	7525A44G15	1.33	1.0	0.3	0.3	0.3	0.3	0.3	-	60	3.5
4000	7525A44G17	1.0	0.5	0.3	0.3	0.3	0.3	0.3	-	50	3.5

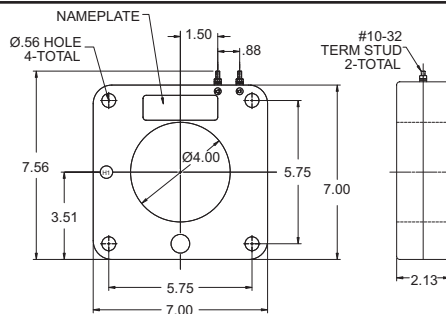
TYPE SCN

1VAP428661-DB

600 Volts
Indoor
10 kV BIL
25-400 Hertz
Mechanical Rating:
180 x Normal



Optional accessory: Mounting Feet Style 9625A65G01



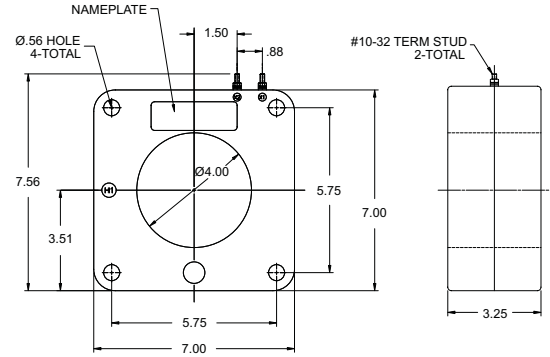
Primary Amps	Style Number	Rating Factor		IEEE Metering Accuracy					Relay Accuracy	Thermal Rating (x normal, 1 sec)	Weight (lb.)
		30°C	55°C	B-0.1	B-0.2	B-0.5	B-0.9	B-1.8			
200	7526A79G01	2.0	1.5	1.2	1.2	2.4	-	-	C10	100	9
300	7526A79G02	2.0	1.5	0.6	0.6	1.2	2.4	-	C10	100	9
400	7526A79G03	2.0	1.5	0.3	0.3	0.6	1.2	2.4	C20	100	9
600	7526A79G04	2.0	1.5	0.3	0.3	0.3	0.6	1.2	C20	100	9
800	7526A79G05	1.5	1.0	0.3	0.3	0.3	0.6	1.2	C20	80	9
1000	7526A79G06	1.33	1.0	0.3	0.3	0.3	0.3	0.6	C50	60	9
1200	7526A79G07	1.33	1.0	0.3	0.3	0.3	0.3	0.6	C50	60	9
1500	7526A79G08	1.33	1.0	0.3	0.3	0.3	0.3	0.6	C50	60	9
2000	7526A79G09	1.33	1.0	0.3	0.3	0.3	0.3	0.3	C50	60	9
2500	7526A79G10	1.33	1.0	0.3	0.3	0.3	0.3	0.3	C50	60	9
3000	7526A79G11	1.33	1.0	0.3	0.3	0.3	0.3	0.3	C50	60	9

600 V CURRENT TRANSFORMERS

TYPE SCN-D

1VAP428661-DB

600 Volts
Indoor
10 kV BIL
 25-400 Hertz
 Mechanical Rating:
 180 x Normal



Optional accessory: Mounting Feet Style 9625A65G02

Primary Amps	Style Number	Rating Factor		IEEE Metering Accuracy					Relay Accuracy	Thermal Rating (x normal, 1 sec)	Weight (lb.)
		30°C	55°C	B-0.1	B-0.2	B-0.5	B-0.9	B-1.8			
200	7526A80G01	2.0	1.5	1.2	1.2	2.4	-	-	C20	100	12.5
300	7526A80G02	2.0	1.5	0.6	0.6	1.2	-	-	C20	100	12.5
400	7526A80G03	2.0	1.5	0.3	0.3	0.6	1.2	2.4	C50	100	12.5
600	7526A80G04	2.0	1.5	0.3	0.3	0.3	0.6	0.6	C50	100	12.5
800	7526A80G05	1.5	1.0	0.3	0.3	0.3	0.6	0.6	C50	80	12.5
1000	7526A80G06	1.33	1.0	0.3	0.3	0.3	0.3	0.6	C50	60	12.5
1200	7526A80G07	1.33	1.0	0.3	0.3	0.3	0.3	0.6	C100	60	12.5
1500	7526A80G08	1.33	1.0	0.3	0.3	0.3	0.3	0.3	C100	60	12.5
2000	7526A80G09	1.33	1.0	0.3	0.3	0.3	0.3	0.3	C100	60	12.5
2500	7526A80G10	1.33	1.0	0.3	0.3	0.3	0.3	0.3	C100	60	12.5
3000	7526A80G11	1.33	1.0	0.3	0.3	0.3	0.3	0.3	C100	60	12.5

600 V CURRENT TRANSFORMERS

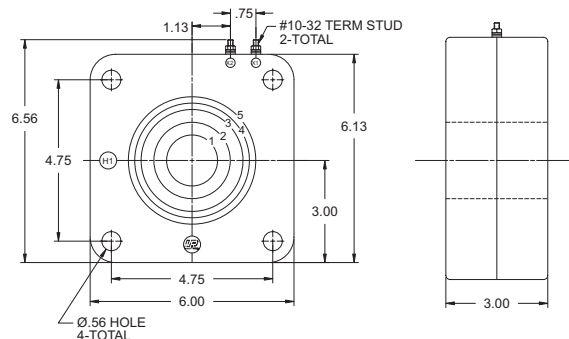
TYPE SCH

1VAP428641-DB

600 Volts
Indoor
10 kV BIL
25-400 Hertz
Mechanical Rating:
180 x Normal



UL Recognized Component



Optional accessory: Mounting Feet Style 7528A98G02

Primary Amps	Style Number	Rating Factor		IEEE Metering Accuracy					Relay Accuracy	Thermal Rating (x normal, 1 sec)	Weight (lb.)
		30°C	55°C	B-0.1	B-0.2	B-0.5	B-0.9	B-1.8			
Type SCH-1 (1.5" window)											
50	7525A31G01	2.0	1.5	2.4	2.4	4.8	-	-	C10	100	15
75	7525A31G02	2.0	1.5	1.2	1.2	2.4	4.8	-	C10	100	15
100	7525A31G03	2.0	1.5	0.6	1.2	2.4	2.4	4.8	C20	100	15
150	7525A31G04	2.0	1.5	0.3	0.6	1.2	1.2	2.4	C20	100	15
200	7525A31G05	2.0	1.5	0.3	0.3	0.6	1.2	1.2	C20	100	15
250	7525A31G06	1.5	1.0	0.3	0.3	0.3	0.6	1.2	C50	80	15
300	7525A31G07	1.5	1.0	0.3	0.3	0.3	0.3	0.6	C50	80	15
400	7525A31G08	1.5	1.0	0.3	0.3	0.3	0.3	0.3	C100	80	15
Type SCH-2 (2.25" window)											
75	7525A32G02	2.0	1.5	1.2	2.4	4.8	-	-	C10	100	13
100	7525A32G03	2.0	1.5	0.6	1.2	2.4	4.8	-	C10	100	13
150	7525A32G04	2.0	1.5	0.3	0.6	1.2	2.4	2.4	C20	100	13
200	7525A32G05	2.0	1.5	0.3	0.3	0.6	1.2	2.4	C20	100	13
250	7525A32G06	2.0	1.5	0.3	0.3	0.3	0.6	1.2	C20	100	13
300	7525A32G07	2.0	1.5	0.3	0.3	0.3	0.6	1.2	C50	100	13
400	7525A32G08	1.5	1.0	0.3	0.3	0.3	0.3	0.6	C50	80	13
500	7525A32G09	1.5	1.0	0.3	0.3	0.3	0.3	0.3	C50	80	13
600	7525A32G10	1.5	1.0	0.3	0.3	0.3	0.3	0.3	C100	80	13
Type SCH-3 (3.0" window)											
100	7525A33G03	2.0	1.5	0.6	1.2	2.4	-	-	C10	100	11
150	7525A33G04	2.0	1.5	0.6	0.6	1.2	2.4	-	C10	100	11
200	7525A33G05	2.0	1.5	0.3	0.6	0.6	1.2	2.4	C20	100	11
250	7525A33G06	2.0	1.5	0.3	0.3	0.6	1.2	1.2	C20	100	11
300	7525A33G07	2.0	1.5	0.3	0.3	0.6	0.6	1.2	C20	100	11
400	7525A33G08	2.0	1.5	0.3	0.3	0.3	0.6	0.6	C50	100	11
500	7525A33G09	1.5	1.0	0.3	0.3	0.3	0.3	0.6	C50	80	11
600	7525A33G10	1.5	1.0	0.3	0.3	0.3	0.3	0.3	C50	80	11
800	7525A33G12	1.33	1.0	0.3	0.3	0.3	0.3	0.3	C100	60	11
Type SCH-4 (3.375" window)											
100	7525A34G03	2.0	1.5	1.2	1.2	2.4	-	-	C5	100	9
150	7525A34G04	2.0	1.5	0.6	0.6	1.2	2.4	-	C10	100	9
200	7525A34G05	2.0	1.5	0.6	0.6	1.2	2.4	-	C10	100	9
250	7525A34G06	2.0	1.5	0.3	0.3	0.6	1.2	2.4	C20	100	9
300	7525A34G07	2.0	1.5	0.3	0.3	0.6	1.2	2.4	C20	100	9
400	7525A34G08	2.0	1.5	0.3	0.3	0.3	0.6	0.6	C20	100	9
500	7525A34G09	1.5	1.0	0.3	0.3	0.3	0.3	0.6	C20	80	9
600	7525A34G10	1.5	1.0	0.3	0.3	0.3	0.3	0.6	C50	80	9
800	7525A34G12	1.33	1.0	0.3	0.3	0.3	0.3	0.3	C50	60	9

600 V CURRENT TRANSFORMERS

TYPE SCH CONT'D.

1VAP428641-DB

Primary Amps	Style Number	Rating Factor		IEEE Metering Accuracy					Relay Accuracy	Thermal Rating (x normal, 1 sec)	Weight (lb.)
		30°C	55°C	B-0.1	B-0.2	B-0.5	B-0.9	B-1.8			
Type SCH-5 (3.75" window)											
150	7525A35G04	2.0	1.5	0.6	1.2	2.4	-	-	C10	100	8.5
200	7525A35G05	2.0	1.5	0.6	0.6	1.2	2.4	-	C10	100	8.5
250	7525A35G06	2.0	1.5	0.3	0.6	1.2	1.2	2.4	C10	100	8.5
300	7525A35G07	2.0	1.5	0.3	0.3	0.6	1.2	2.4	C10	100	8.5
400	7525A35G08	2.0	1.5	0.3	0.3	0.3	0.6	1.2	C20	100	8.5
500	7525A35G09	1.5	1.0	0.3	0.3	0.3	0.6	1.2	C20	80	8.5
600	7525A35G10	1.5	1.0	0.3	0.3	0.3	0.3	0.6	C20	80	8.5
800	7525A35G12	1.33	1.0	0.3	0.3	0.3	0.3	0.3	C50	60	8.5

TYPE SCG

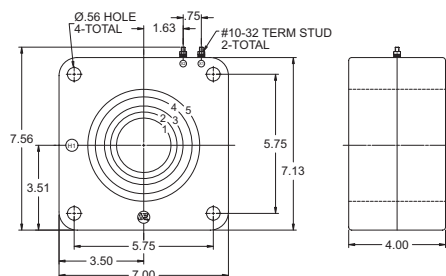
1VAP428651-DB

600 Volts
Indoor
10 kV BIL
25-400 Hertz

Mechanical Rating:
180 x Normal



UL Recognized Component



Optional accessory: Mounting Feet Style 9628A05G81

Primary Amps	Style Number	Rating Factor		IEEE Metering Accuracy					Relay Accuracy	Thermal Rating (x normal, 1 sec)	Weight (lb.)
		30°C	55°C	B-0.1	B-0.2	B-0.5	B-0.9	B-1.8			
Type SCG-1 (2.25" window)											
50	7525A26G01	2.0	1.5	2.4	2.4	4.8	-	-	C10	100	27
75	7525A26G02	2.0	1.5	1.2	1.2	2.4	-	-	C20	100	27
100	7525A26G03	2.0	1.5	0.6	1.2	2.4	2.4	4.8	C20	100	27
150	7525A26G04	2.0	1.5	0.3	0.6	1.2	1.2	2.4	C50	100	27
200	7525A26G05	2.0	1.5	0.3	0.3	0.6	0.6	1.2	C50	100	27
250	7525A26G06	2.0	1.5	0.3	0.3	0.3	0.6	1.2	C50	100	27
300	7525A26G07	2.0	1.5	0.3	0.3	0.3	0.3	0.6	C100	100	27
400	7525A26G08	2.0	1.5	0.3	0.3	0.3	0.3	0.3	C100	100	27
500	7525A26G09	1.5	1.0	0.3	0.3	0.3	0.3	0.3	C100	80	27
600	7525A26G10	1.5	1.0	0.3	0.3	0.3	0.3	0.3	C200	80	27

Type SCG-2 (2.75" window)

50	7525A27G01	2.0	1.5	2.4	4.8	-	-	-	C10	100	23
75	7525A27G02	2.0	1.5	1.2	1.2	4.8	4.8	-	C10	100	23
100	7525A27G03	2.0	1.5	0.6	1.2	2.4	2.4	4.8	C20	100	23
150	7525A27G04	2.0	1.5	0.3	0.6	1.2	1.2	2.4	C20	100	23
200	7525A27G05	2.0	1.5	0.3	0.3	0.6	1.2	1.2	C50	100	23
250	7525A27G06	2.0	1.5	0.3	0.3	0.6	0.6	1.2	C50	100	23
300	7525A27G07	2.0	1.5	0.3	0.3	0.3	0.6	0.6	C50	100	23
400	7525A27G08	1.5	1.0	0.3	0.3	0.3	0.3	0.6	C100	80	23
500	7525A27G09	1.5	1.0	0.3	0.3	0.3	0.3	0.3	C100	80	23
600	7525A27G10	1.5	1.0	0.3	0.3	0.3	0.3	0.3	C100	80	23
800	7525A27G12	1.33	1.0	0.3	0.3	0.3	0.3	0.3	C200	60	23
1000	7525A27G13	1.33	1.0	0.3	0.3	0.3	0.3	0.3	C200	60	23
1200	7525A27G14	1.33	1.0	0.3	0.3	0.3	0.3	0.3	C200	60	23
1500	7525A27G15	1.33	1.0	0.3	0.3	0.3	0.3	0.3	C200	60	23

600 V CURRENT TRANSFORMERS

TYPE SCG CONT'D.

1VAP428651-DB

Primary Amps	Style Number	Rating Factor		IEEE Metering Accuracy					Relay Accuracy	Thermal Rating (x normal, 1 sec)	Weight (lb.)
		30°C	55°C	B-0.1	B-0.2	B-0.5	B-0.9	B-1.8			
Type SCG-3 (3.25" window)											
50	7525A28G01	2.0	1.5	2.4	2.4	-	-	-	C10	100	21
75	7525A28G02	2.0	1.5	1.2	2.4	4.8	-	-	C10	100	21
100	7525A28G03	2.0	1.5	1.2	1.2	2.4	4.8	4.8	C20	100	21
150	7525A28G04	2.0	1.5	0.6	0.6	1.2	2.4	2.4	C20	100	21
200	7525A28G05	2.0	1.5	0.3	0.6	0.6	1.2	2.4	C50	100	21
250	7525A28G06	2.0	1.5	0.3	0.6	1.2	1.2	2.4	C50	100	21
300	7525A28G07	2.0	1.5	0.3	0.3	0.3	0.6	1.2	C50	100	21
400	7525A28G08	2.0	1.5	0.3	0.3	0.3	0.3	0.6	C100	100	21
500	7525A28G09	1.5	1.0	0.3	0.3	0.3	0.3	0.3	C100	80	21
600	7525A28G10	1.5	1.0	0.3	0.3	0.3	0.3	0.3	C100	80	21
800	7525A28G12	1.5	1.0	0.3	0.3	0.3	0.3	0.3	C200	80	21
1000	7525A28G13	1.33	1.0	0.3	0.3	0.3	0.3	0.3	C200	60	21
1200	7525A28G14	1.33	1.0	0.3	0.3	0.3	0.3	0.3	C200	60	21
1500	7525A28G15	1.33	1.0	0.3	0.3	0.3	0.3	0.3	C200	60	21
Type SCG-4 (4.0" window)											
50	7525A29G01	2.0	1.5	2.4	4.8	-	-	-	C5	100	19
75	7525A29G02	2.0	1.5	2.4	2.4	4.8	-	-	C10	100	19
100	7525A29G03	2.0	1.5	1.2	1.2	2.4	4.8	-	C10	100	19
150	7525A29G04	2.0	1.5	0.6	0.6	1.2	2.4	4.8	C20	100	19
200	7525A29G05	2.0	1.5	0.3	0.6	1.2	1.2	2.4	C20	100	19
250	7525A29G06	2.0	1.5	0.3	0.3	0.6	1.2	1.2	C20	100	19
300	7525A29G07	2.0	1.5	0.3	0.3	0.6	0.6	1.2	C50	100	19
400	7525A29G08	2.0	1.5	0.3	0.3	0.3	0.3	0.6	C50	100	19
500	7525A29G09	1.5	1.0	0.3	0.3	0.3	0.3	0.6	C50	80	19
600	7525A29G10	1.5	1.0	0.3	0.3	0.3	0.3	0.3	C100	80	19
800	7525A29G12	1.5	1.0	0.3	0.3	0.3	0.3	0.3	C100	80	19
1000	7525A29G13	1.33	1.0	0.3	0.3	0.3	0.3	0.3	C100	60	19
1200	7525A29G14	1.33	1.0	0.3	0.3	0.3	0.3	0.3	C100	60	19
1500	7525A29G15	1.33	1.0	0.3	0.3	0.3	0.3	0.3	C100	60	19
2000	7525A29G17	1.33	1.0	0.3	0.3	0.3	0.3	0.3	C200	60	19
2500	7525A29G18	1.33	1.0	0.3	0.3	0.3	0.3	0.3	C200	60	19
3000	7525A29G19	1.33	1.0	0.3	0.3	0.3	0.3	0.3	C200	60	19
4000	7525A29G20	1.33	1.0	0.3	0.3	0.3	0.3	0.3	C200	60	19
Type SCG-5 (4.625" window)											
50	7525A30G01	-	-	2.4	4.8	-	-	-	-	-	14
75	7525A30G02	2.0	1.5	2.4	2.4	4.8	-	-	C5	-	14
100	7525A30G03	2.0	1.5	1.2	2.4	4.8	-	-	C10	100	14
150	7525A30G04	2.0	1.5	1.2	1.2	2.4	4.8	-	C10	100	14
200	7525A30G05	2.0	1.5	0.6	0.6	1.2	2.4	4.8	C20	100	14
250	7525A30G06	2.0	1.5	0.3	0.6	1.2	1.2	2.4	C20	100	14
300	7525A30G07	2.0	1.5	0.3	0.3	0.6	1.2	2.4	C20	100	14
400	7525A30G08	2.0	1.5	0.3	0.3	0.3	0.6	1.2	C50	100	14
500	7525A30G09	2.0	1.5	0.3	0.3	0.3	0.6	0.6	C50	100	14
600	7525A30G10	1.5	1.0	0.3	0.3	0.3	0.3	0.6	C50	80	14
800	7525A30G12	1.33	1.0	0.3	0.3	0.3	0.3	0.3	C50	60	14
1000	7525A30G13	1.33	1.0	0.3	0.3	0.3	0.3	0.3	C100	60	14
1200	7525A30G14	1.33	1.0	0.3	0.3	0.3	0.3	0.3	C100	60	14
1500	7525A30G15	1.33	1.0	0.3	0.3	0.3	0.3	0.3	C100	60	14
2000	7525A30G17	1.33	1.0	0.3	0.3	0.3	0.3	0.3	C100	60	14
2500	7525A30G18	1.33	1.0	0.3	0.3	0.3	0.3	0.3	C20	60	14
3000	7525A30G19	1.33	1.0	0.3	0.3	0.3	0.3	0.3	C20	60	14
4000	7525A30G20	1.33	1.0	0.3	0.3	0.3	0.3	0.3	C20	60	14

600 V CURRENT TRANSFORMERS

TYPE SCM

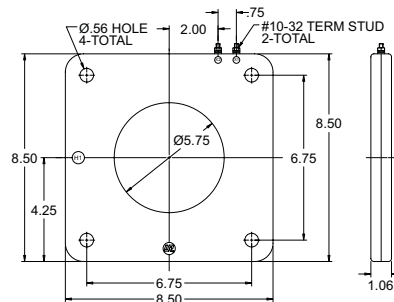
1VAP428681-DB

600 Volts
Indoor
10 kV BIL
25-400 Hertz

Mechanical Rating:
180 x Normal



UL Recognized Component



Optional accessory: Mounting Feet Style 9625A64G01

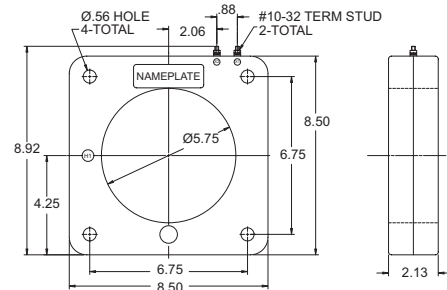
Primary Amps	Style Number	Rating Factor		IEEE Metering Accuracy					Relay Accuracy	Thermal Rating (x normal, 1 sec)	Weight (lb.)
		30°C	55°C	B-0.1	B-0.2	B-0.5	B-0.9	B-1.8			
200	7525A36G01	1.33	1.0	2.4	2.4	-	-	-	-	60	5
300	7525A36G02	1.33	1.0	1.2	2.4	2.4	-	-	C5	60	5
400	7525A36G03	1.33	1.0	0.6	1.2	2.4	2.4	-	C5	60	5
500	7525A36G04	1.33	1.0	0.6	0.6	1.2	2.4	-	C5	60	5
600	7525A36G05	1.33	1.0	0.3	0.6	1.2	2.4	-	C10	60	5
800	7525A36G06	1.33	1.0	0.3	0.3	0.6	0.6	1.2	C10	60	5
1000	7525A36G07	1.33	1.0	0.3	0.3	0.3	0.6	1.2	C10	60	5
1200	7525A36G08	1.33	1.0	0.3	0.3	0.3	0.6	1.2	C15	60	5
1500	7525A36G09	1.33	1.0	0.3	0.3	0.3	0.3	0.6	C15	60	5
1600	7525A36G10	1.33	1.0	0.3	0.3	0.3	-	0.6	C5	60	5
2000	7525A36G11	1.33	1.0	0.3	0.3	0.3	0.3	0.3	C10	60	5
2500	7525A36G12	1.33	1.0	0.3	0.3	0.3	0.3	0.3	C10	60	5
3000	7525A36G13	1.33	1.0	0.3	0.3	0.3	0.3	0.3	C15	60	5
4000	7525A36G14	1.0	0.5	0.3	0.3	0.3	0.3	0.3	-	50	5

TYPE SCL

1VAP428671-DB

600 Volts
Indoor
10 kV BIL
25-400 Hertz

Mechanical Rating:
180 x Normal



Optional accessory: Mounting Feet Style 9625A64G02

Primary Amps	Style Number	Rating Factor		IEEE Metering Accuracy					Relay Accuracy	Thermal Rating (x normal, 1 sec)	Weight (lb.)
		30°C	55°C	B-0.1	B-0.2	B-0.5	B-0.9	B-1.8			
200	7526A81G01	2.0	1.5	1.2	1.2	2.4	-	-	C10	100	10
300	7526A81G02	2.0	1.5	0.6	0.6	1.2	2.4	-	C10	100	10
400	7526A81G03	2.0	1.5	0.6	0.6	1.2	2.4	-	C20	100	10
600	7526A81G04	2.0	1.5	0.3	0.3	0.3	0.6	1.2	C20	100	10
800	7526A81G05	2.0	1.5	0.3	0.3	0.3	0.3	0.6	C20	100	10
1000	7526A81G06	1.5	1.0	0.3	0.3	0.3	0.3	0.6	C50	80	10
1200	7526A81G07	1.5	1.0	0.3	0.3	0.3	0.3	0.3	C50	80	10
1500	7526A81G08	1.33	1.0	0.3	0.3	0.3	0.3	0.3	C50	60	10
2000	7526A81G09	1.33	1.0	0.3	0.3	0.3	0.3	0.3	C50	60	10
2500	7526A81G10	1.33	1.0	0.3	0.3	0.3	0.3	0.3	C50	60	10
3000	7526A81G11	1.33	1.0	0.3	0.3	0.3	0.3	0.3	C50	60	10
4000	7526A81G12	1.33	1.0	0.3	0.3	0.3	0.3	0.3	C50	60	10

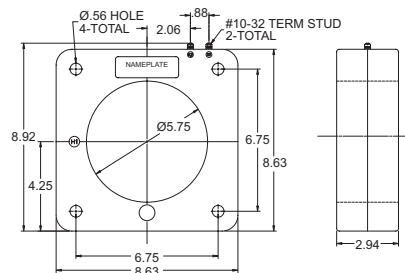
600 V CURRENT TRANSFORMERS

TYPE SCL-D

1VAP428671-DB

600 Volts
Indoor
10 kV BIL
 25-400 Hertz
 Mechanical Rating:
 180 x Normal

Optional accessory:
 Mounting Feet Style 9625A64G03



Primary Amps	Style Number	Rating Factor		IEEE Metering Accuracy					Relay Accuracy	Thermal Rating (x normal, 1 sec)	Weight (lb.)
		30°C	55°C	B-0.1	B-0.2	B-0.5	B-0.9	B-1.8			
200	7526A82G01	2.0	1.5	0.6	1.2	2.4	-	-	C10	100	16
300	7526A82G02	2.0	1.5	0.6	0.6	1.2	2.4	-	C20	100	16
400	7526A82G03	2.0	1.5	0.3	0.3	0.6	1.2	2.4	C20	100	16
600	7526A82G04	2.0	1.5	0.3	0.3	0.3	0.6	1.2	C50	100	16
800	7526A82G05	2.0	1.5	0.3	0.3	0.3	0.3	0.6	C50	100	16
1000	7526A82G06	1.5	1.0	0.3	0.3	0.3	0.3	0.3	C100	80	16
1200	7526A82G07	1.5	1.0	0.3	0.3	0.3	0.3	0.3	C100	80	16
1500	7526A82G08	1.33	1.0	0.3	0.3	0.3	0.3	0.3	C100	60	16
2000	7526A82G09	1.33	1.0	0.3	0.3	0.3	0.3	0.3	C100	60	16
2500	7526A82G10	1.33	1.0	0.3	0.3	0.3	0.3	0.3	C100	60	16
3000	7526A82G11	1.33	1.0	0.3	0.3	0.3	0.3	0.3	C100	60	16
4000	7526A82G12	1.33	1.0	0.3	0.3	0.3	0.3	0.3	C100	60	16

TYPE SCO

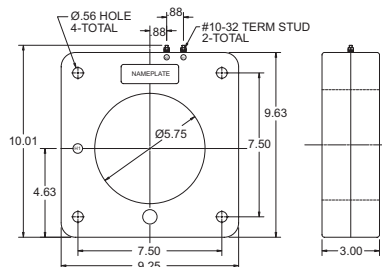
1VAP428691-DB

600 Volts
Indoor
10 kV BIL
 25-400 Hertz
 Mechanical Rating:
 180 x Normal



UL Recognized Component

Optional accessory: Mounting Feet Style 9625A63G01



Primary Amps	Style Number	Rating Factor		IEEE Metering Accuracy					Relay Accuracy	Thermal Rating (x normal, 1 sec)	Weight (lb.)
		30°C	55°C	B-0.1	B-0.2	B-0.5	B-0.9	B-1.8			
200	7526A83G01	2.0	1.5	0.6	1.2	2.4	-	-	C20	100	20
300	7526A83G02	2.0	1.5	0.3	0.6	1.2	2.4	-	C20	100	20
400	7526A83G03	2.0	1.5	0.3	0.3	0.6	1.2	2.4	C50	100	20
600	7526A83G04	2.0	1.5	0.3	0.3	0.6	0.6	1.2	C100	100	20
800	7526A83G05	2.0	1.5	0.3	0.3	0.3	0.3	0.6	C100	100	20
1000	7526A83G06	1.5	1.0	0.3	0.3	0.3	0.3	0.3	C100	80	20
1200	7526A83G07	1.5	1.0	0.3	0.3	0.3	0.3	0.3	C200	80	20
1500	7526A83G08	1.33	1.0	0.3	0.3	0.3	0.3	0.3	C200	60	20
2000	7526A83G09	1.33	1.0	0.3	0.3	0.3	0.3	0.3	C200	60	20
2500	7526A83G10	1.33	1.0	0.3	0.3	0.3	0.3	0.3	C200	60	20
3000	7526A83G11	1.33	1.0	0.3	0.3	0.3	0.3	0.3	C200	60	20
4000	7526A83G12	1.33	1.0	0.3	0.3	0.3	0.3	0.3	C100	60	20
5000	7526A83G19	1.0	1.0	0.3	0.3	0.3	0.3	0.3	C100	60	20

Multi-Ratio, IEEE, 5 Terminal

600	7526A83G13	2.0	1.5	0.3	0.3	0.6	0.6	1.2	C100	80	20
1200	7526A83G14	1.5	1.0	0.3	0.3	0.3	0.3	0.3	C200	60	20
2000	7526A83G15	1.33	1.0	0.3	0.3	0.3	0.3	0.3	C200	60	20
3000	7526A83G16	1.33	1.0	0.3	0.3	0.3	0.3	0.3	C200	60	20
4000	7526A83G17	1.33	1.0	0.3	0.3	0.3	0.3	0.3	C200	100	20

600 V CURRENT TRANSFORMERS

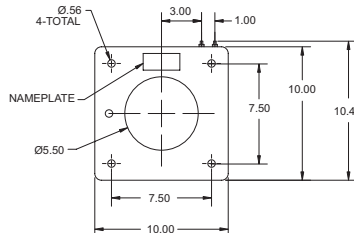
TYPE RCI

1VAP428811-DB

600 Volts
Indoor
10 kV BIL
25-400 Hertz
Mechanical Rating:
180 x Normal



UL Recognized Component



Type	Window Size (in.)	Thickness (in.)
RCI-1	5.5	5.0
RCI-2	6.5	5.0

Note: This unit is encapsulated in polyurethane.

	Primary Amps	Style Number	Rating Factor @ 30° C	IEEE Metering Accuracy					Relay Accuracy	Weight (lb.)
				B-0.1	B-0.2	B-0.5	B-0.9	B-1.8		
Type RCI-1 (5.5" Window)										
	50	9628A31G01	2.0	2.4	-	-	-	-	C10	60
	75	9628A31G02	2.0	1.2	2.4	-	-	-	C20	60
	100	9628A31G03	2.0	1.2	1.2	2.4	-	-	C20	60
	200	9628A31G04	2.0	0.3	0.6	1.2	1.2	2.4	C50	60
	300	9628A31G05	2.0	0.3	0.3	0.3	0.6	1.2	C100	60
	400	9628A31G06	2.0	0.3	0.3	0.3	0.3	0.6	C100	60
	600	9628A31G07	2.0	0.3	0.3	0.3	0.3	0.3	C200	60
	800	9628A31G08	2.0	0.3	0.3	0.3	0.3	0.3	C200	60
	1000	9628A31G09	2.0	0.3	0.3	0.3	0.3	0.3	C200	60
	1200	9628A31G10	2.0	0.3	0.3	0.3	0.3	0.3	C400	60
	1500	9628A31G11	1.5	0.3	0.3	0.3	0.3	0.3	C400	60
	2000	9628A31G12	1.33	0.3	0.3	0.3	0.3	0.3	C400	60
	2500	9628A31G13	1.33	0.3	0.3	0.3	0.3	0.3	C400	60
	3000	9628A31G14	1.33	0.3	0.3	0.3	0.3	0.3	C400	60
	4000	9628A31G15	1.33	0.3	0.3	0.3	0.3	0.3	C400	60
	5000	9628A31G16	1.33	0.3	0.3	0.3	0.3	0.3	C400	60
Type RCI-1 Multi-Ratio (5.5" Window)										
	600	9628A36G01	1.33	-	-	-	-	-	C200	60
	1200	9628A36G02	1.33	-	-	-	-	-	C400	60
	2000	9628A36G03	1.33	-	-	-	-	-	C400	60
	3000	9628A36G04	1.33	-	-	-	-	-	C400	60
	4000	9628A36G05	1.33	-	-	-	-	-	C400	60
Type RCI-2 (6.5" Window)										
	50	9628A32G01	2.0	4.8	-	-	-	-	C10	50
	75	9628A32G02	2.0	2.4	4.8	-	-	-	C10	50
	100	9628A32G03	2.0	1.2	2.4	-	-	-	C20	50
	200	9628A32G04	2.0	0.6	0.6	1.2	2.4	2.4	C40	50
	300	9628A32G05	2.0	0.3	0.3	0.6	1.2	1.2	C50	50
	400	9628A32G06	2.0	0.3	0.3	0.3	0.6	1.2	C100	50
	600	9628A32G07	2.0	0.3	0.3	0.3	0.3	0.6	C100	50
	800	9628A32G08	2.0	0.3	0.3	0.3	0.3	0.3	C200	50
	1000	9628A32G09	2.0	0.3	0.3	0.3	0.3	0.3	C200	50
	1200	9628A32G10	2.0	0.3	0.3	0.3	0.3	0.3	C200	50
	1500	9628A32G11	1.5	0.3	0.3	0.3	0.3	0.3	C400	50
	2000	9628A32G12	1.33	0.3	0.3	0.3	0.3	0.3	C400	50
	2500	9628A32G13	1.33	0.3	0.3	0.3	0.3	0.3	C400	50
	3000	9628A32G14	1.33	0.3	0.3	0.3	0.3	0.3	C400	50
	4000	9628A32G15	1.33	0.3	0.3	0.3	0.3	0.3	C400	50
	5000	9628A32G16	1.33	0.3	0.3	0.3	0.3	0.3	C400	50
Type RCI-2 Multi-Ratio (6.5" Window)										
	600	9628A37G01	1.33	-	-	-	-	-	C100	50
	1200	9628A37G02	1.33	-	-	-	-	-	C200	50
	2000	9628A37G03	1.33	-	-	-	-	-	C400	50
	3000	9628A37G04	1.33	-	-	-	-	-	C400	50
	4000	9628A37G05	1.33	-	-	-	-	-	C400	50
	5000	9628A37G06	1.33	-	-	-	-	-	C400	50

600 V CURRENT TRANSFORMERS

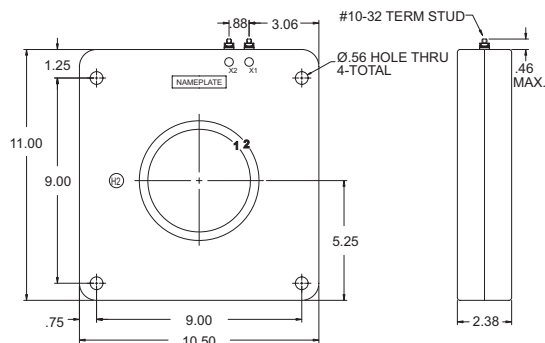
TYPE SCB

1VAP428831-DB

600 Volts
Indoor
10 kV BIL
25-400 Hertz
Mechanical Rating:
180 x Normal



UL Recognized Component



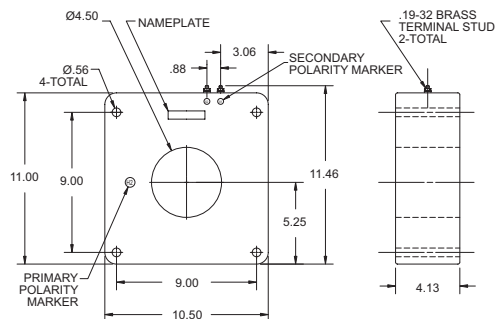
Primary Amps	Style Number	Rating Factor		IEEE Metering Accuracy					Relay Accuracy	Thermal Rating (x Normal, 1 sec)	Weight (lb.)
		30°C	55°C	B-0.1	B-0.2	B-0.5	B-0.9	B-1.8			
Type SCB-1 (4.50" Window)											
200	7525A20G01	2.0	1.5	0.6	0.6	1.2	2.4	-	C20	100	29
300	7525A20G02	2.0	1.5	0.3	0.3	0.3	1.2	1.2	C50	100	29
400	7525A20G03	2.0	1.5	0.3	0.3	0.3	0.6	1.2	C80	100	29
600	7525A20G04	2.0	1.5	0.3	0.3	0.3	0.3	0.6	C100	100	29
800	7525A20G05	1.5	1.0	0.3	0.3	0.3	0.3	0.3	C100	80	29
1000	7525A20G06	1.5	1.0	0.3	0.3	0.3	0.3	0.3	C200	80	29
1200	7525A20G07	1.5	1.0	0.3	0.3	0.3	0.3	0.3	C200	80	29
1500	7525A20G08	1.5	1.0	0.3	0.3	0.3	0.3	0.3	C200	80	29
2000	7525A20G09	1.33	1.0	0.3	0.3	0.3	0.3	0.3	C400	60	29
2500	7525A20G10	1.33	1.0	0.3	0.3	0.3	0.3	0.3	C400	60	29
3000	7525A20G11	1.33	1.0	0.3	0.3	0.3	0.3	0.3	C400	60	29
4000	7525A20G12	1.33	1.0	0.3	0.3	0.3	0.3	0.3	C400	60	29
Multi-Ratio, IEEE, 5 Terminals											
600	7525A20G13	1.5	1.0	0.3	0.3	0.3	0.3	0.6	C100	80	29
1200	7525A20G14	1.5	1.0	0.3	0.3	0.3	0.3	0.3	C200	60	29
2000	7525A20G15	1.33	1.0	0.3	0.3	0.3	0.3	0.3	C400	60	29
3000	7525A20G16	1.33	1.0	0.3	0.3	0.3	0.3	0.3	C400	60	29
4000	7525A20G17	1.33	1.0	0.3	0.3	0.3	0.3	0.3	C400	60	29
Type SCB-2 (5.25" Window)											
200	7525A24G01	2.0	1.5	0.6	0.6	-	-	-	C20	100	26
300	7525A24G02	2.0	1.5	0.3	0.3	-	-	-	C50	100	26
400	7525A24G03	2.0	1.5	0.3	0.3	0.3	0.6	1.2	C50	100	26
600	7525A24G04	2.0	1.5	0.3	0.3	0.3	0.3	0.6	C100	100	26
800	7525A24G05	2.0	1.0	0.3	0.3	0.3	0.3	0.3	C100	80	26
1000	7525A24G06	1.5	1.0	0.3	0.3	0.3	0.3	0.3	C100	80	26
1200	7525A24G07	1.5	1.0	0.3	0.3	0.3	0.3	0.3	C200	80	26
1500	7525A24G08	1.5	1.0	0.3	0.3	0.3	0.3	0.3	C200	80	26
2000	7525A24G09	1.5	1.0	0.3	0.3	0.3	0.3	0.3	C200	60	26
2500	7525A24G10	1.33	1.0	0.3	0.3	0.3	0.3	0.3	C200	60	26
3000	7525A24G11	1.33	1.0	0.3	0.3	0.3	0.3	0.3	C200	60	26
4000	7525A24G12	1.33	1.0	0.3	0.3	0.3	0.3	0.3	C200	60	26
Multi-Ratio, IEEE, 5 Terminals											
600	7525A24G13	1.5	1.0	0.3	0.3	0.3	0.3	-	C100	80	26
1200	7525A24G14	1.5	1.0	0.3	0.3	0.3	0.3	0.3	C200	80	26
2000	7525A24G15	1.33	1.0	0.3	0.3	0.3	0.3	0.3	C200	60	26
3000	7525A24G16	1.5	1.0	0.3	0.3	0.3	0.3	0.3	C200	60	26
4000	7525A24G17	1.33	1.0	0.3	0.3	0.3	0.3	0.3	C200	60	26

600 V CURRENT TRANSFORMERS

TYPE RCB

1VAP428851-DB

600 Volts
Indoor
10 kV BIL
 25-400 Hertz
 Mechanical Rating:
 180 x Normal



Primary Amps	Style Number	Rating Factor		IEEE Metering Accuracy					Relay Accuracy	Thermal Rating (x Normal, 1 sec)	Weight (lb.)
		30°C	55°C	B-0.1	B-0.2	B-0.5	B-0.9	B-1.8			
200	7525A49G01	2.0	1.5	0.3	0.6	1.2	1.2	2.4	C50	100	55
300	7525A49G02	2.0	1.5	0.3	0.3	0.6	0.6	1.2	C100	100	55
400	7525A49G03	2.0	1.5	0.3	0.3	0.3	0.6	0.6	C100	100	55
600	7525A49G04	2.0	1.5	0.3	0.3	0.3	0.3	0.3	C200	100	55
800	7525A49G05	1.5	1.0	0.3	0.3	0.3	0.3	0.3	C200	80	55
1000	7525A49G06	1.5	1.0	0.3	0.3	0.3	0.3	0.3	C200	80	55
1200	7525A49G07	1.5	1.0	0.3	0.3	0.3	0.3	0.3	C400	80	55
1500	7525A49G08	1.5	1.0	0.3	0.3	0.3	0.3	0.3	C400	80	55
2000	7525A49G09	1.33	1.0	0.3	0.3	0.3	0.3	0.3	C800	60	55
2500	7525A49G10	1.33	1.0	0.3	0.3	0.3	0.3	0.3	C800	60	55
3000	7525A49G11	1.33	1.0	0.3	0.3	0.3	0.3	0.3	C800	60	55
4000	7525A49G12	1.33	1.0	0.3	0.3	0.3	0.3	0.3	C800	60	55

Multi-Ratio, IEEE, 5 Terminals

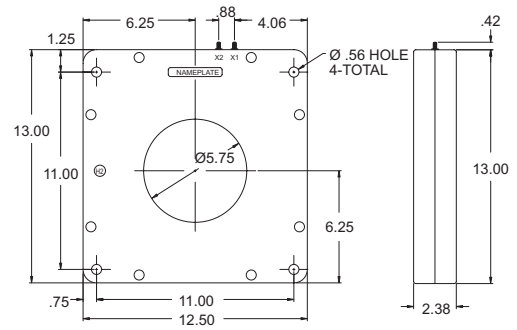
600	7525A49G13	2.0	1.5	0.3	0.3	0.3	0.3	0.3	C200	100	55
1200	7525A49G14	1.5	1.0	0.3	0.3	0.3	0.3	0.3	C400	80	55
2000	7525A49G15	1.33	1.0	0.3	0.3	0.3	0.3	0.3	C800	60	55
3000	7525A49G16	1.33	1.0	0.3	0.3	0.3	0.3	0.3	C800	60	55
4000	7525A49G17	1.33	1.0	0.3	0.3	0.3	0.3	0.3	C800	60	55

600 V CURRENT TRANSFORMERS

TYPE SCA

1VAP428821-DB

600 Volts
Indoor
10 kV BIL
25-400 Hertz
Mechanical Rating:
180 x Normal



UL Recognized Component

Primary Amps	Style Number	Rating Factor		IEEE Metering Accuracy					Relay Accuracy	Thermal Rating (x Normal, 1 sec)	Weight (lb.)
		30°C	55°C	B-0.1	B-0.2	B-0.5	B-0.9	B-1.8			
200	7525A48G01	2.0	1.5	0.6	1.2	2.4	2.4	-	C50	100	34
300	7525A48G02	2.0	1.5	0.3	0.6	1.2	1.2	2.4	C50	100	34
400	7525A48G03	2.0	1.5	0.3	0.3	0.6	1.2	2.4	C100	100	34
600	7525A48G04	2.0	1.5	0.3	0.3	0.3	0.3	0.6	C100	100	34
800	7525A48G05	1.5	1.0	0.3	0.3	0.3	0.3	0.3	C100	80	34
1000	7525A48G06	1.5	1.0	0.3	0.3	0.3	0.3	0.3	C200	80	34
1200	7525A48G07	1.5	1.0	0.3	0.3	0.3	0.3	0.3	C200	80	34
1500	7525A48G08	1.33	1.0	0.3	0.3	0.3	0.3	0.3	C200	60	34
2000	7525A48G09	1.33	1.0	0.3	0.3	0.3	0.3	0.3	C400	60	34
2500	7525A48G10	1.33	1.0	0.3	0.3	0.3	0.3	0.3	C400	60	34
3000	7525A48G11	1.33	1.0	0.3	0.3	0.3	0.3	0.3	C400	60	34
4000	7525A48G12	1.33	1.0	0.3	0.3	0.3	0.3	0.3	C400	60	34

Multi-Ratio, IEEE, 5 Terminals

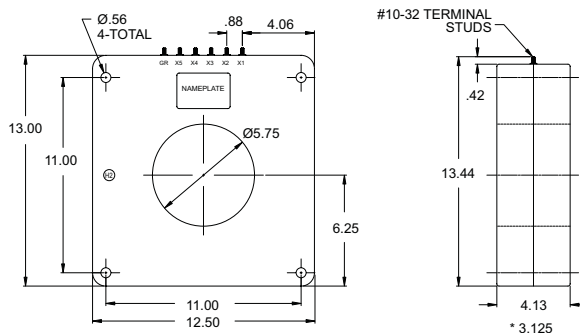
600	7525A48G13	2.0	1.5	0.3	0.3	0.3	0.3	0.6	C100	80	34
1200	7525A48G14	1.5	1.0	0.3	0.3	0.3	0.3	0.3	C200	80	34
2000	7525A48G15	1.33	1.0	0.3	0.3	0.3	0.3	0.3	C400	60	34
3000	7525A48G16	1.33	1.0	0.3	0.3	0.3	0.3	0.3	C400	60	34
4000	7525A48G17	1.33	1.0	0.3	0.3	0.3	0.3	0.3	C400	60	34

600 V CURRENT TRANSFORMERS

TYPE RCA

1VAP428841-DB

600 Volts
Indoor
10 kV BIL
25-400 Hertz
Mechanical Rating:
180 x Normal



Note: This unit is also available in polyurethane (thickness limited to 6") for special accuracy applications.

* Contact factory for styles with 3.125" thickness. These units are available at same ratios as standard RCAs upon request.

Primary Amps	Style Number	Rating Factor		IEEE Metering Accuracy					Relay Accuracy	Thermal Rating (x Normal, 1 sec)	Weight (lb.)
		30°C	55°C	B-0.1	B-0.2	B-0.5	B-0.9	B-1.8			
200	7525A19G01	2.0	1.5	0.6	0.6	1.2	2.4	2.4	C50	100	58
300	7525A19G02	2.0	1.5	0.3	0.3	0.6	1.2	1.2	C100	100	58
400	7525A19G03	2.0	1.5	0.3	0.3	0.3	0.6	1.2	C100	100	58
600	7525A19G04	2.0	1.5	0.3	0.3	0.3	0.3	0.3	C200	100	58
800	7525A19G05	1.5	1.0	0.3	0.3	0.3	0.3	0.3	C200	80	58
1000	7525A19G06	1.5	1.0	0.3	0.3	0.3	0.3	0.3	C200	80	58
1200	7525A19G07	1.5	1.0	0.3	0.3	0.3	0.3	0.3	C400	80	58
1500	7525A19G08	1.33	1.0	0.3	0.3	0.3	0.3	0.3	C400	60	58
2000	7525A19G09	1.33	1.0	0.3	0.3	0.3	0.3	0.3	C800	60	58
2500	7525A19G10	1.33	1.0	0.3	0.3	0.3	0.3	0.3	C800	60	58
3000	7525A19G11	1.33	1.0	0.3	0.3	0.3	0.3	0.3	C800	60	58
4000	7525A19G12	1.33	1.0	0.3	0.3	0.3	0.3	0.3	C800	60	58

Multi-Ratio, IEEE, 5 Terminals

600	7525A19G13	2.0	1.5	0.3	0.3	0.3	0.3	0.3	C200	100	58
1200	7525A19G14	1.5	1.0	0.3	0.3	0.3	0.3	0.3	C400	80	58
2000	7525A19G15	1.33	1.0	0.3	0.3	0.3	0.3	0.3	C800	60	58
3000	7525A19G16	1.33	1.0	0.3	0.3	0.3	0.3	0.3	C800	60	58
4000	7525A19G17	1.33	1.0	0.3	0.3	0.3	0.3	0.3	C800	60	58

600 V CURRENT TRANSFORMERS

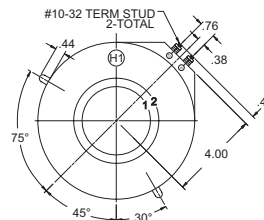
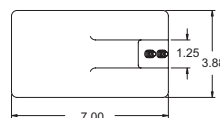
TYPE SCJ

1VAP428861-DB

600 Volts
Indoor
10 kV BIL
25-400 Hertz



UL Recognized Component



Primary Amps	Style Number	Rating Factor		IEEE Metering Accuracy					Relay Accuracy	Thermal Rating (x Normal, 1 sec)	Weight (lb.)
		30°C	55°C	B-0.1	B-0.2	B-0.5	B-0.9	B-1.8			
Type SCJ-1R (3.05" Window)											
200	9628A43G01	1.33	1.0	0.6	0.6	1.2	2.4	2.4	C20	18	
250	9628A43G02	1.33	1.0	0.6	0.6	1.2	1.2	2.4	C20	18	
300	9628A43G03	1.33	1.0	0.3	0.6	0.6	1.2	1.2	C20	18	
400	9628A43G04	1.33	1.0	0.3	0.3	0.6	0.6	1.2	C50	18	
500	9628A43G05	1.33	1.0	0.3	0.3	0.3	0.6	0.6	C50	18	
600	9628A43G06	1.33	1.0	0.3	0.3	0.3	0.3	0.6	C50	18	
800	9628A43G07	1.33	1.0	0.3	0.3	0.3	0.3	0.3	C100	18	
1000	9628A43G08	1.33	1.0	0.3	0.3	0.3	0.3	0.3	C70	18	
1200	9628A43G09	1.33	1.0	0.3	0.3	0.3	0.3	0.3	C70	18	
1500	9628A43G10	1.33	1.0	0.3	0.3	0.3	0.3	0.3	C110	18	
2000	9628A43G11	1.33	1.0	0.3	0.3	0.3	0.3	0.3	C80	18	
2500	9628A43G12	1.33	1.0	0.3	0.3	0.3	0.3	0.3	C100	18	
3000	9628A43G13	1.33	1.0	0.3	0.3	0.3	0.3	0.3	C70	18	
3200	9628A43G14	1.33	1.0	0.3	0.3	0.3	0.3	0.3	C70	18	
4000	9628A43G15	1.33	1.0	0.3	0.3	0.3	0.3	0.3	C50	18	
Type SCJ-1M (3.05" Window)											
200	9628A42G01	1.33	1.0	0.6	1.2	2.4	2.4	4.8	-	12	
250	9628A42G02	1.33	1.0	0.6	0.6	1.2	2.4	4.8	-	12	
300	9628A42G03	1.33	1.0	0.6	0.6	1.2	1.2	2.4	-	12	
400	9628A42G04	1.33	1.0	0.3	0.3	0.6	1.2	1.2	-	12	
500	9628A42G05	1.33	1.0	0.3	0.3	0.6	0.6	1.2	-	12	
600	9628A42G06	1.33	1.0	0.3	0.3	0.3	0.6	0.6	-	12	
800	9628A42G07	1.33	1.0	0.3	0.3	0.3	0.3	0.6	-	12	
1000	9628A42G08	1.33	1.0	0.3	0.3	0.3	0.3	0.6	-	12	
1200	9628A42G09	1.33	1.0	0.3	0.3	0.3	0.3	0.3	-	12	
1500	9628A42G10	1.33	1.0	0.3	0.3	0.3	0.3	0.3	-	12	
2000	9628A42G11	1.33	1.0	0.3	0.3	0.3	0.3	0.3	-	12	
2500	9628A42G12	1.33	1.0	0.3	0.3	0.3	0.3	0.3	-	12	
3000	9628A42G13	1.33	1.0	0.3	0.3	0.3	0.3	0.3	-	12	
3200	9628A42G14	1.33	1.0	0.3	0.3	0.3	0.3	0.3	-	12	
4000	9628A42G15	1.33	1.0	0.3	0.3	0.3	0.3	0.3	-	12	
Type SCJ-2R (3.80" Window)											
1000	9628A45G01	1.33	1.0	0.3	0.3	0.3	0.3	0.6	C70	16	
1200	9628A45G02	1.33	1.0	0.3	0.3	0.3	0.3	0.3	C70	16	
1500	9628A45G03	1.33	1.0	0.3	0.3	0.3	0.3	0.3	C110	16	
2000	9628A45G04	1.33	1.0	0.3	0.3	0.3	0.3	0.3	C80	16	
2500	9628A45G05	1.33	1.0	0.3	0.3	0.3	0.3	0.3	C100	16	
3000	9628A45G06	1.33	1.0	0.3	0.3	0.3	0.3	0.3	C70	16	
3200	9628A45G07	1.33	1.0	0.3	0.3	0.3	0.3	0.3	C70	16	
4000	9628A45G08	1.33	1.0	0.3	0.3	0.3	0.3	0.3	C50	16	
Type SCJ-2M (3.80" Window)											
1000	9628A44G01	1.33	1.0	0.3	0.3	0.3	0.3	0.6	-	9	
1200	9628A44G02	1.33	1.0	0.3	0.3	0.3	0.3	0.3	-	9	
1500	9628A44G03	1.33	1.0	0.3	0.3	0.3	0.3	0.3	-	9	
2000	9628A44G04	1.33	1.0	0.3	0.3	0.3	0.3	0.3	-	9	
2500	9628A44G05	1.33	1.0	0.3	0.3	0.3	0.3	0.3	-	9	
3000	9628A44G06	1.33	1.0	0.3	0.3	0.3	0.3	0.3	-	9	
3200	9628A44G07	1.33	1.0	0.3	0.3	0.3	0.3	0.3	-	9	
4000	9628A44G08	1.33	1.0	0.3	0.3	0.3	0.3	0.3	-	9	

600 V CURRENT TRANSFORMERS

TYPE SCS

1VAP428871-DB

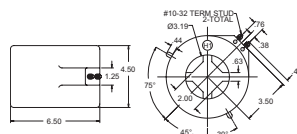
600 Volts
Indoor
10 kV BIL
25-400 Hertz



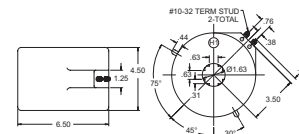
UL Recognized Component



SCS-1R
SCS-1M



SCS-2R
SCS-2M



Primary Amps	Style Number	Rating Factor		IEEE Metering Accuracy					Relay Accuracy	Thermal Rating (x Normal, 1 sec)	Weight (lb.)
		30°C	55°C	B-0.1	B-0.2	B-0.5	B-0.9	B-1.8			
Type SCS-1R (1.63" Window)											
100	9628A39G01	1.33	1.0	1.2	1.2	2.4	2.4	4.8	C20	20	
150	9628A39G02	1.33	1.0	0.6	0.6	1.2	1.2	2.4	C20	20	
200	9628A39G03	1.33	1.0	0.6	0.6	0.6	1.2	1.2	C50	20	
300	9628A39G04	1.33	1.0	0.3	0.3	0.3	0.6	0.6	C50	20	
400	9628A39G05	1.33	1.0	0.3	0.3	0.3	0.3	0.6	C100	20	
600	9628A39G06	1.33	1.0	0.3	0.3	0.3	0.3	0.3	C100	20	
800	9628A39G07	1.33	1.0	0.3	0.3	0.3	0.3	0.3	C100	20	
1000	9628A39G08	1.33	1.0	0.3	0.3	0.3	0.3	0.3	C200	20	
1200	9628A39G09	1.33	1.0	0.3	0.3	0.3	0.3	0.3	C200	20	
1500	9628A39G10	1.33	1.0	0.3	0.3	0.3	0.3	0.3	C200	20	
1600	9628A39G11	1.33	1.0	0.3	0.3	0.3	0.3	0.3	C200	20	
2000	9628A39G12	1.33	1.0	0.3	0.3	0.3	0.3	0.3	C200	20	
2500	9628A39G13	1.33	1.0	0.3	0.3	0.3	0.3	0.3	C200	20	
Type SCS-1M (1.63" Window)											
100	9628A38G01	1.33	1.0	1.2	2.4	4.8	4.8	-	-	13	
150	9628A38G02	1.33	1.0	0.6	0.6	1.2	1.2	4.8	-	13	
200	9628A38G03	1.33	1.0	0.6	0.6	1.2	1.2	2.4	-	13	
300	9628A38G04	1.33	1.0	0.3	0.3	0.6	0.6	1.2	-	13	
400	9628A38G05	1.33	1.0	0.3	0.3	0.3	0.3	0.6	-	13	
600	9628A38G06	1.33	1.0	0.3	0.3	0.3	0.3	0.6	-	13	
800	9628A38G07	1.33	1.0	0.3	0.3	0.3	0.3	0.3	-	13	
1000	9628A38G08	1.33	1.0	0.3	0.3	0.3	0.3	0.3	-	13	
1200	9628A38G09	1.33	1.0	0.3	0.3	0.3	0.3	0.3	-	13	
1500	9628A38G10	1.33	1.0	0.3	0.3	0.3	0.3	0.3	-	13	
1600	9628A38G11	1.33	1.0	0.3	0.3	0.3	0.3	0.3	-	13	
2000	9628A38G12	1.33	1.0	0.3	0.3	0.3	0.3	0.3	-	13	
2500	9628A38G13	1.33	1.0	0.3	0.3	0.3	0.3	0.3	-	13	
Type SCS-2R (2.00" Window)											
100	9628A41G01	1.33	1.0	1.2	2.4	4.8	-	-	C5	14	
150	9628A41G02	1.33	1.0	1.2	1.2	2.4	4.8	-	C10	14	
200	9628A41G03	1.33	1.0	0.6	1.2	2.4	2.4	-	C15	14	
300	9628A41G04	1.33	1.0	0.3	0.6	1.2	1.2	2.4	C20	14	
400	9628A41G05	1.33	1.0	0.3	0.3	0.6	1.2	2.4	C30	14	
600	9628A41G06	1.33	1.0	0.3	0.3	0.3	0.6	0.6	C50	14	
800	9628A41G07	1.33	1.0	0.3	0.3	0.3	0.6	0.6	C50	14	
1000	9628A41G08	1.33	1.0	0.3	0.3	0.3	0.3	0.6	C80	14	
1200	9628A41G09	1.33	1.0	0.3	0.3	0.3	0.3	0.3	C70	14	
1500	9628A41G10	1.33	1.0	0.3	0.3	0.3	0.3	0.3	C80	14	
1600	9628A41G11	1.33	1.0	0.3	0.3	0.3	0.3	0.3	C80	14	
2000	9628A41G12	1.33	1.0	0.3	0.3	0.3	0.3	0.3	C30	14	
2500	9628A41G13	1.33	1.0	0.3	0.3	0.3	0.3	0.3	C30	14	
Type SCS-2M (2.00" Window)											
100	9628A40G01	1.33	1.0	1.2	2.4	4.8	-	-	-	8	
150	9628A40G02	1.33	1.0	1.2	1.2	2.4	4.8	-	-	8	
200	9628A40G03	1.33	1.0	0.6	1.2	2.4	2.4	-	-	8	
300	9628A40G04	1.33	1.0	0.3	0.6	1.2	1.2	2.4	-	8	
400	9628A40G05	1.33	1.0	0.3	0.3	0.6	1.2	2.4	-	8	
600	9628A40G06	1.33	1.0	0.3	0.3	0.3	0.6	0.6	-	8	
800	9628A40G07	1.33	1.0	0.3	0.3	0.3	0.6	0.6	-	8	
1000	9628A40G08	1.33	1.0	0.3	0.3	0.3	0.3	0.6	-	8	
1200	9628A40G09	1.33	1.0	0.3	0.3	0.3	0.3	0.3	-	8	
1500	9628A40G10	1.33	1.0	0.3	0.3	0.3	0.3	0.3	-	8	
1600	9628A40G11	1.33	1.0	0.3	0.3	0.3	0.3	0.3	-	8	
2000	9628A40G12	1.33	1.0	0.3	0.3	0.3	0.3	0.3	-	8	
2500	9628A40G13	1.33	1.0	0.3	0.3	0.3	0.3	0.3	-	8	

600 V CURRENT TRANSFORMERS

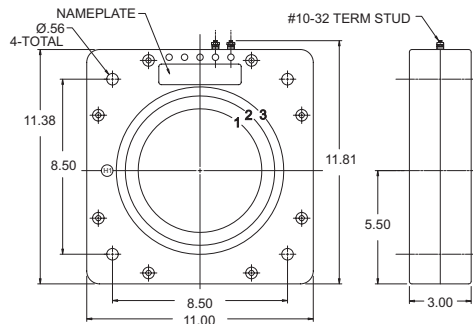
TYPE SCP

1VAP428881-DB

600 Volts
Indoor
10 kV BIL
25-400 Hertz
Mechanical Rating:
180 x Normal



UL Recognized Component



Primary Amps	Style Number	Rating Factor		IEEE Metering Accuracy					Relay Accuracy	Thermal Rating (x Normal, 1 sec)	Weight (lb.)	
		30°C	55°C	B-0.1	B-0.2	B-0.5	B-0.9	B-1.8				
Type SCP-1 (6.00" Window)												
50	9628A03G01	2.0	1.5	2.4	-	-	-	-	-	C10	80	40
75	9628A03G02	2.0	1.5	1.2	2.4	-	-	-	-	C10	80	40
100	9628A03G03	2.0	1.5	1.2	1.2	2.4	-	-	-	C20	80	40
150	9628A03G04	2.0	1.5	0.6	0.6	1.2	2.4	-	-	C20	80	40
200	9628A03G05	2.0	1.5	0.6	0.6	1.2	2.4	2.4	-	C50	80	40
300	9628A03G06	2.0	1.5	0.3	0.3	0.6	0.6	1.2	0.6	C50	80	40
400	9628A03G07	2.0	1.5	0.3	0.3	0.3	0.6	0.6	0.6	C100	80	40
600	9628A03G08	2.0	1.5	0.3	0.3	0.3	0.3	0.6	0.6	C100	80	40
800	9628A03G09	2.0	1.5	0.3	0.3	0.3	0.3	0.3	0.3	C200	80	40
1000	9628A03G10	1.5	1.0	0.3	0.3	0.3	0.3	0.3	0.3	C200	80	40
1200	9628A03G11	1.5	1.0	0.3	0.3	0.3	0.3	0.3	0.3	C200	80	40
1500	9628A03G12	1.5	1.0	0.3	0.3	0.3	0.3	0.3	0.3	C200	80	40
2000	9628A03G13	1.33	1.0	0.3	0.3	0.3	0.3	0.3	0.3	C400	80	40
2500	9628A03G14	1.33	1.0	0.3	0.3	0.3	0.3	0.3	0.3	C400	80	40
3000	9628A03G15	1.33	1.0	0.3	0.3	0.3	0.3	0.3	0.3	C400	80	40
Type SCP-2 (7.25" Window)												
50	9628A06G01	2.0	1.5	4.8	-	-	-	-	-	-	80	30
75	9628A06G02	2.0	1.5	2.4	2.4	-	-	-	-	C10	80	30
100	9628A06G03	2.0	1.5	1.2	2.4	-	-	-	-	C10	80	30
150	9628A06G04	2.0	1.5	1.2	1.2	2.4	-	-	-	C20	80	30
200	9628A06G05	2.0	1.5	0.6	0.6	1.2	2.4	2.4	-	C20	80	30
300	9628A06G06	2.0	1.5	0.3	0.3	0.6	1.2	2.4	0.6	C50	80	30
400	9628A06G07	2.0	1.5	0.3	0.3	0.3	0.6	1.2	0.6	C50	80	30
600	9628A06G08	2.0	1.5	0.3	0.3	0.3	0.6	0.6	0.6	C100	80	30
800	9628A06G09	2.0	1.5	0.3	0.3	0.3	0.3	0.3	0.3	C100	80	30
1000	9628A06G10	1.5	1.0	0.3	0.3	0.3	0.3	0.3	0.3	C100	80	30
1200	9628A06G11	1.5	1.0	0.3	0.3	0.3	0.3	0.3	0.3	C200	80	30
1500	9628A06G12	1.5	1.0	0.3	0.3	0.3	0.3	0.3	0.3	C200	80	30
2000	9628A06G13	1.33	1.0	0.3	0.3	0.3	0.3	0.3	0.3	C200	80	30
2500	9628A06G14	1.33	1.0	0.3	0.3	0.3	0.3	0.3	0.3	C200	80	30
3000	9628A06G15	1.33	1.0	0.3	0.3	0.3	0.3	0.3	0.3	C200	80	30
4000	9628A06G16	1.33	1.0	0.3	0.3	0.3	0.3	0.3	0.3	C200	80	30
5000	9628A06G17	1.33	1.0	0.3	0.3	0.3	0.3	0.3	0.3	C200	80	30
Type SCP-3 (8.13" Window)												
50	9628A07G01	2.0	1.5	-	-	-	-	-	-	-	80	28
100	9628A07G03	2.0	1.5	-	-	-	-	-	-	-	80	28
200	9628A07G05	2.0	1.5	1.2	1.2	2.4	-	-	-	C10	80	28
300	9628A07G06	2.0	1.5	0.6	0.6	1.2	2.4	-	-	C20	80	28
400	9628A07G07	2.0	1.5	0.6	0.6	0.6	1.2	2.4	-	C20	80	28
600	9628A07G08	2.0	1.5	0.3	0.3	0.6	1.2	1.2	0.6	C20	80	28
800	9628A07G09	2.0	1.5	0.3	0.3	0.3	0.6	0.6	0.6	C50	80	28
1000	9628A07G10	1.5	1.0	0.3	0.3	0.3	0.3	0.6	0.6	C50	80	28
1200	9628A07G11	1.5	1.0	0.3	0.3	0.3	0.3	0.3	0.3	C100	80	28
1500	9628A07G12	1.5	1.0	0.3	0.3	0.3	0.3	0.3	0.3	C100	80	28
2000	9628A07G13	1.33	1.0	0.3	0.3	0.3	0.3	0.3	0.3	C100	80	28
2500	9628A07G14	1.33	1.0	0.3	0.3	0.3	0.3	0.3	0.3	C100	80	28
3000	9628A07G15	1.33	1.0	0.3	0.3	0.3	0.3	0.3	0.3	C100	80	28
4000	9628A07G16	1.33	1.0	0.3	0.3	0.3	0.3	0.3	0.3	C100	80	28
5000	9628A07G17	1.33	1.0	0.3	0.3	0.3	0.3	0.3	0.3	C100	80	28
6000	9628A07G18	1.33	1.0	0.3	0.3	0.3	0.3	0.3	0.3	C100	80	28

600 V CURRENT TRANSFORMERS

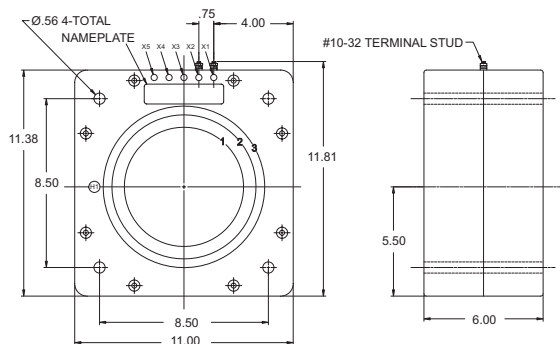
TYPE SCD

1VAP428801-DB

600 Volts
Indoor
10 kV BIL
25-400 Hertz
Mechanical Rating:
180 x Normal



UL Recognized Component



Primary Amps	Style Number	Rating Factor		IEEE Metering Accuracy					Relay Accuracy	Thermal Rating (x Normal, 1 sec)	Weight (lb.)
		30°C	55°C	B-0.1	B-0.2	B-0.5	B-0.9	B-1.8			
Type SCD-1 (6.00" Window)											
50	7525A45G01	2.0	1.5	1.2	2.4	-	-	-	C20	100	60
75	7525A45G02	2.0	1.5	1.2	1.2	2.4	-	-	C20	100	60
100	7525A45G03	2.0	1.5	0.6	1.2	2.4	-	-	C50	100	60
150	7525A45G04	2.0	1.5	0.6	0.6	0.6	1.2	2.4	C50	100	60
200	7525A45G05	2.0	1.5	0.3	0.6	0.6	1.2	1.2	C100	100	60
300	7525A45G06	2.0	1.5	0.3	0.3	0.3	0.6	0.6	C100	100	60
400	7525A45G07	2.0	1.5	0.3	0.3	0.3	0.3	0.6	C200	100	60
600	7525A45G08	2.0	1.5	0.3	0.3	0.3	0.3	0.3	C200	100	60
800	7525A45G09	2.0	1.5	0.3	0.3	0.3	0.3	0.3	C400	100	60
1000	7525A45G10	1.5	1.0	0.3	0.3	0.3	0.3	0.3	C400	80	60
1200	7525A45G11	1.5	1.0	0.3	0.3	0.3	0.3	0.3	C400	80	60
1500	7525A45G12	1.5	1.0	0.3	0.3	0.3	0.3	0.3	C800	80	60
2000	7525A45G13	1.33	1.0	0.3	0.3	0.3	0.3	0.3	C800	60	60
2500	7525A45G14	1.33	1.0	0.3	0.3	0.3	0.3	0.3	C800	60	60
3000	7525A45G15	1.33	1.0	0.3	0.3	0.3	0.3	0.3	C800	60	60
Type SCD-2 (7.25" Window)											
200	7525A46G01	2.0	1.5	0.6	0.6	0.6	1.2	2.4	C50	100	52
300	7525A46G02	2.0	1.5	0.3	0.3	0.3	0.6	1.2	C100	100	52
400	7525A46G03	2.0	1.5	0.3	0.3	0.3	0.3	0.6	C100	100	52
600	7525A46G04	2.0	1.5	0.3	0.3	0.3	0.3	0.3	C200	100	52
800	7525A46G05	2.0	1.5	0.3	0.3	0.3	0.3	0.3	C200	100	52
1000	7525A46G06	1.5	1.0	0.3	0.3	0.3	0.3	0.3	C400	80	52
1200	7525A46G07	1.5	1.0	0.3	0.3	0.3	0.3	0.3	C400	80	52
1500	7525A46G08	1.5	1.0	0.3	0.3	0.3	0.3	0.3	C400	80	52
2000	7525A46G09	1.33	1.0	0.3	0.3	0.3	0.3	0.3	C400	60	52
2500	7525A46G10	1.33	1.0	0.3	0.3	0.3	0.3	0.3	C400	60	52
3000	7525A46G11	1.33	1.0	0.3	0.3	0.3	0.3	0.3	C400	60	52
4000	7525A46G12	1.33	1.0	0.3	0.3	0.3	0.3	0.3	C400	60	52
5000	7525A46G13	1.33	1.0	0.3	0.3	0.3	0.3	0.3	C400	60	52
Type SCD-3 (8.13" Window)											
200	7525A47G01	2.0	1.5	0.6	0.6	1.2	2.4	2.4	C50	100	45
300	7525A47G02	2.0	1.5	0.3	0.3	0.6	1.2	1.2	C50	100	45
400	7525A47G03	2.0	1.5	0.3	0.3	0.3	0.6	0.6	C100	100	45
600	7525A47G04	2.0	1.5	0.3	0.3	0.3	0.3	0.6	C100	100	45
800	7525A47G05	2.0	1.5	0.3	0.3	0.3	0.3	0.3	C200	100	45
1000	7525A47G06	2.0	1.5	0.3	0.3	0.3	0.3	0.3	C200	100	45
1200	7525A47G07	2.0	1.5	0.3	0.3	0.3	0.3	0.3	C200	100	45
1500	7525A47G08	2.0	1.5	0.3	0.3	0.3	0.3	0.3	C400	100	45
2000	7525A47G09	2.0	1.5	0.3	0.3	0.3	0.3	0.3	C400	100	45
2500	7525A47G10	1.33	1.0	0.3	0.3	0.3	0.3	0.3	C400	60	45
3000	7525A47G11	1.33	1.0	0.3	0.3	0.3	0.3	0.3	C400	60	45
4000	7525A47G12	1.33	1.0	0.3	0.3	0.3	0.3	0.3	C400	60	45
5000	7525A47G13	1.33	1.0	0.3	0.3	0.3	0.3	0.3	C400	60	45
6000	7525A47G14	1.33	1.0	0.3	0.3	0.3	0.3	0.3	C400	60	45

600 V CURRENT TRANSFORMERS

TYPE RCF

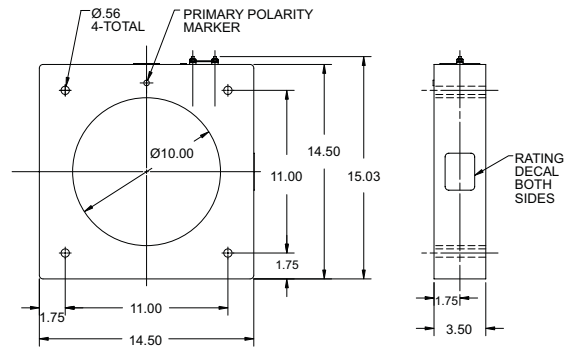
1VAP428891-DB

600 Volts
Indoor
10 kV BIL
25-400 Hertz
Mechanical Rating:
180 x Normal



UL Recognized Component

Note: Encapsulated in polyurethane



Primary Amps	Style Number	Rating Factor		IEEE Metering Accuracy					Relay Accuracy	Thermal Rating (x Normal, 1 sec)	Weight (lb.)
		30°C	55°C	B-0.1	B-0.2	B-0.5	B-0.9	B-1.8			
2000	7526A78G01	2.0	1.5	0.3	0.3	0.3	0.3	0.3	C200	120	44
2500	7526A78G02	2.0	1.5	0.3	0.3	0.3	0.3	0.3	C200	120	44
3000	7526A78G03	2.0	1.5	0.3	0.3	0.3	0.3	0.3	C200	120	44
4000	7526A78G04	2.0	1.5	0.3	0.3	0.3	0.3	0.3	C200	120	44
5000	7526A78G05	2.0	1.5	0.3	0.3	0.3	0.3	0.3	C200	120	44
6000	7526A78G06	1.5	1.0	0.3	0.3	0.3	0.3	0.3	C200	100	44
8000	7526A78G07	1.33	1.0	0.3	0.3	0.3	0.3	0.3	C200	100	44
10000	7526A78G08	1.33	1.0	0.3	0.3	0.3	0.3	0.3	C200	100	44

TYPE RCF-D

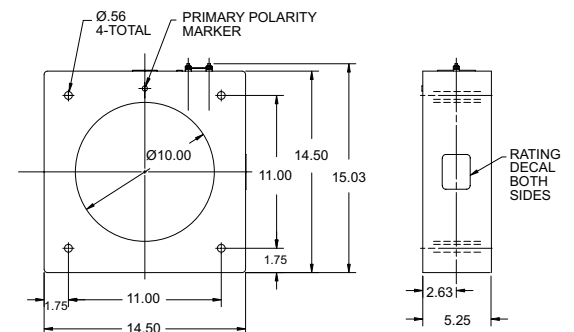
1VAP428891-DB

600 Volts
Indoor
10 kV BIL
25-400 Hertz
Mechanical Rating:
180 x Normal



UL Recognized Component

Note: Encapsulated in polyurethane



Primary Amps	Style Number	Rating Factor		IEEE Metering Accuracy					Relay Accuracy	Thermal Rating (x Normal, 1 sec)	Weight (lb.)
		30°C	55°C	B-0.1	B-0.2	B-0.5	B-0.9	B-1.8			
2500	7882A45G05	1.33	1.0	0.3	0.3	0.3	0.3	0.3	C400	100	65
6000	7882A45G01	1.33	1.0	0.3	0.3	0.3	0.3	0.3	C800	100	65
8000	7882A45G03	1.33	1.0	0.3	0.3	0.3	0.3	0.3	C800	100	65
8000 (MR)	7882A45G02	1.33	1.0	0.3	0.3	0.3	0.3	0.3	C800	100	65

LOW VOLTAGE SWITCHGEAR CTs

TYPE DSM

1VAP428621-DB

600 Volts
Indoor
10 kV BIL
25-400 Hertz

Mechanical Rating:
180 x Normal



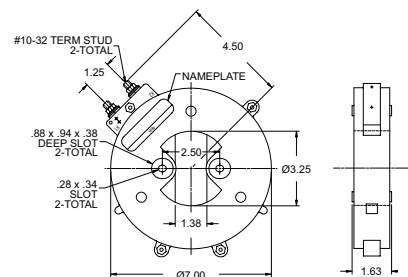
Dimensioned for bus structure mounting on
Westinghouse DS Circuit Breakers



UL Recognized Component

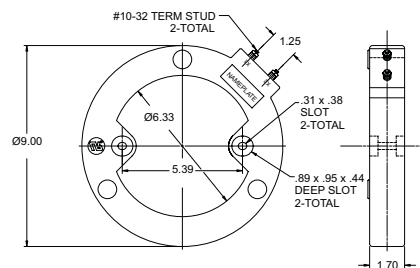
Type DSM-16 (800 - 2000A DS Breaker)

Primary Amps	Style Number	Rating Factor		IEEE Metering Accuracy					Thermal Rating (x Normal, 1 sec)	Weight (lb.)
		30°C	55°C	B-0.1	B-0.2	B-0.5	B-0.9	B-1.8		
100	449D701G01	2.0	1.5	1.2	-	-	-	-	100	5
150	449D701G02	2.0	1.5	1.2	-	-	-	-	100	5
200	449D701G03	2.0	1.5	1.2	1.2	-	-	-	100	5
300	449D701G04	2.0	1.5	0.6	0.6	1.2	2.4	-	100	5
400	449D701G05	2.0	1.5	0.3	0.6	1.2	1.2	-	100	5
600	449D701G06	1.5	1.0	0.3	0.3	0.6	1.2	1.2	80	5
800	449D701G07	1.5	1.0	0.3	0.3	0.3	0.6	1.2	80	5
1200	449D701G08	1.33	1.0	0.3	0.3	0.3	0.3	0.6	60	5
1500	449D701G18	1.33	1.0	0.3	0.3	0.3	0.3	0.6	60	5
1600	449D701G09	1.33	1.0	0.3	0.3	0.3	0.3	0.3	60	5
2000	449D701G10	1.33	1.0	0.3	0.3	0.3	0.3	0.3	60	5



Type DSM-32 (3200A DS Breaker)

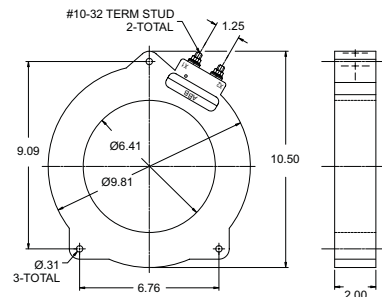
Primary Amps	Style Number	Rating Factor		IEEE Metering Accuracy					Thermal Rating (x Normal, 1 sec)	Weight (lb.)
		30°C	55°C	B-0.1	B-0.2	B-0.5	B-0.9	B-1.8		
2400	449D701G11	1.33	1.0	0.3	0.3	0.3	0.3	0.6	60	5.5
2500	449D701G14	1.33	1.0	0.3	0.3	0.3	0.3	0.6	60	5.5
3000	449D701G15	1.33	1.0	0.3	0.3	0.3	0.3	0.3	60	5.5
3200	449D701G12	1.33	1.0	0.3	0.3	0.3	0.3	0.3	60	5.5
4000	449D701G13	1.33	1.0	0.3	0.3	0.3	0.3	0.3	60	5.5



Optional accessory: Mounting Feet Style 809A495H01

Type DSM-40 (4000A DS Breaker)

Primary Amps	Style Number	Rating Factor		IEEE Metering Accuracy					Thermal Rating (x Normal, 1 sec)	Weight (lb.)
		30°C	55°C	B-0.1	B-0.2	B-0.5	B-0.9	B-1.8		
4000	151D026G01	1.33	1.0	0.3	0.3	0.3	0.3	0.3	60	7
5000	151D026G02	1.33	1.0	0.3	0.3	0.3	0.3	0.3	60	7
6000	151D026G03	1.33	1.0	0.3	0.3	0.3	0.3	0.3	60	7



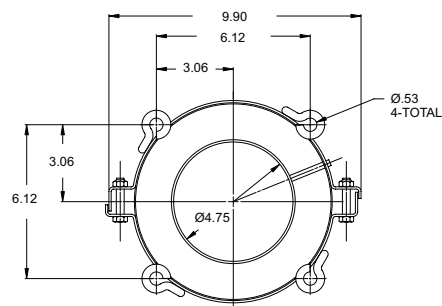
MEDIUM VOLTAGE SWITCHGEAR CTs

TYPE BYZ

1VAP428561-DB

Test Voltage: 2500 Volts
Indoor
25-400 Hertz

Mechanical Rating:
180 x Normal



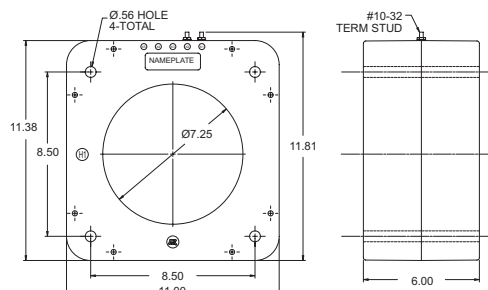
Primary Current Rating	Style Number	Relay Accuracy	Thermal Rating (x Normal, 1 sec)	Window Diameter (in.)	Weight (lb.)
50	592C102G01	C15	100	4.75	38
50	684C188G02	C20	100	7.50	38
100	592C102G03	C30	100	4.75	38
100	684C188G04	C50	100	7.50	38

TYPE BYZ-S

1VAP428611-DB

600 Volts
Indoor
10 kV BIL
25-400 Hertz

Mechanical Rating:
180 x Normal



UL Recognized Component

Primary Current Rating	Current Style Cross-Reference	Historic Reference	Relay Accuracy	Thermal Rating (x Normal, 1 sec)	Window Diameter (in.)	Weight (lb.)
50	7525A25G01	6353C97H01	C10	100	7.25	52
100	7525A25G02	6353C97H02	C20	100	7.25	52

MEDIUM VOLTAGE SWITCHGEAR CTs

TYPE BYZ-O

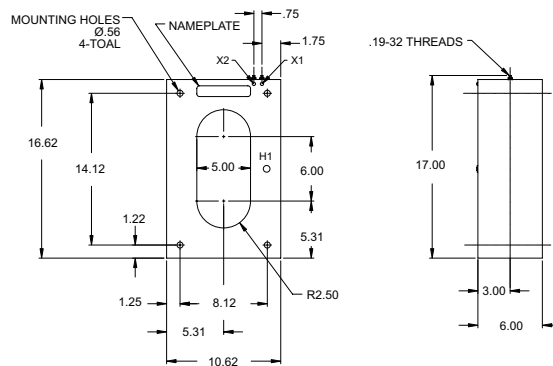
1VAP428612-DB

600 Volts
Indoor
10 kV BIL
25-60 Hertz

Mechanical Rating:
180 x Normal



UL Recognized Component



Primary Current Rating	Style Number	Relay Accuracy	Thermal Rating (x Normal, 1 sec)	Window Diameter (in.)	Weight (lb.)
50	7882A98G01	C20	100	5.0	110
100	7882A98G02	C50	100	5.0	110

TYPE BYZ-L

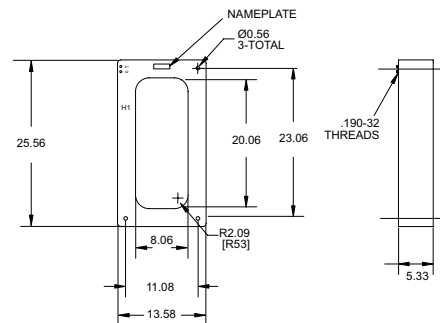
1VAP428613-DB

600 Volts
Indoor
10 kV BIL
50-400 Hertz

Mechanical Rating:
180 x Normal



UL Recognized Component



Primary Current Rating	Style Number	Relay Accuracy	Thermal Rating (x Normal, 1 sec)	Window Opening (in.)	Weight (lb.)
50	923A294G01	C10	100	8.06 x 20.06	150
75	923A294G02	C20	100	8.06 x 20.06	150
100	923A294G03	C30	100	8.06 x 20.06	150
150	923A294G04	C50	100	8.06 x 20.06	150
200	923A294G05	C50	100	8.06 x 20.06	150
300	923A294G06	C100	100	8.06 x 20.06	150
400	923A294G07	C100	100	8.06 x 20.06	150
500	923A294G08	C200	100	8.06 x 20.06	150

MEDIUM VOLTAGE SWITCHGEAR CTs

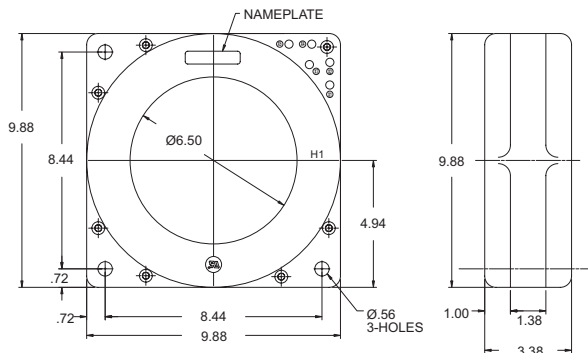
TYPE SCV

1VAP428601-DB

600 Volts
Indoor
10 kV BIL
25-400 Hertz
Mechanical Rating:
180 x Normal



UL Recognized Component



Primary Amps	Current Style Cross-Reference	Historic Reference	Rating Factor		IEEE Metering Accuracy					Relay Accuracy	Thermal Rating (x Normal, 1 sec)	Weight (lb.)
			30°C	55°C	B-0.1	B-0.2	B-0.5	B-0.9	B-1.8			
75	7527A70G20	6353C88H20	2.0	1.5	2.4	2.4	-	-	-	C10	80	29
100	7527A70G01	6353C88H01	2.0	1.5	1.2	2.4	-	-	-	C10	80	29
150	7527A70G02	6353C88H02	2.0	1.5	0.6	1.2	2.4	-	-	C20	80	29
200	7527A70G03	6353C88H03	2.0	1.5	0.6	0.6	1.2	-	-	C20	80	29
250	7527A70G04	6353C88H04	2.0	1.5	0.6	0.6	1.2	2.4	-	C20	80	29
300	7527A70G05	6353C88H05	2.0	1.5	0.3	0.6	1.2	1.2	2.4	C20	80	29
400	7527A70G06	6353C88H06	2.0	1.5	0.3	0.3	0.6	1.2	1.2	C50	80	29
500	7527A70G07	6353C88H07	2.0	1.5	0.3	0.3	0.3	0.6	1.2	C50	80	29
600	7527A70G08	6353C88H08	2.0	1.5	0.3	0.3	0.3	0.6	0.6	C100	80	29
800	7527A70G09	6353C88H09	2.0	1.5	0.3	0.3	0.3	0.3	0.6	C100	80	29
1000	7527A70G10	6353C88H10	2.0	1.5	0.3	0.3	0.3	0.3	0.3	C100	80	29
1200	7527A70G11	6353C88H11	2.0	1.5	0.3	0.3	0.3	0.3	0.3	C200	80	29
1500	7527A70G12	6353C88H12	2.0	1.5	0.3	0.3	0.3	0.3	0.3	C200	80	29
2000	7527A70G13	6353C88H13	2.0	1.5	0.3	0.3	0.3	0.3	0.3	C200	80	29
2500	7527A70G14	6353C88H14	2.0	1.5	0.3	0.3	0.3	0.3	0.3	C200	80	29
3000	7527A70G15	6353C88H15	2.0	1.5	0.3	0.3	0.3	0.3	0.3	C200	80	29
4000	7527A70G16	6353C88H16	2.0	1.5	0.3	0.3	0.3	0.3	0.3	C200	80	29

Multi-Ratio, IEEE, 5 Terminals

600	7525A38G01	6350C23H01	2.0	1.5	0.3	0.3	0.3	0.6	0.6	C100	80	29
1200	7525A38G02	6350C24H01	2.0	1.5	0.3	0.3	0.3	0.3	0.3	C200	80	29
2000	7525A38G03	6350C25H01	2.0	1.5	0.3	0.3	0.3	0.3	0.3	C200	80	29
3000	7525A38G04	6350C26H01	2.0	1.5	0.3	0.3	0.3	0.3	0.3	C200	80	29
4000	7525A38G05	6350C27H01	2.0	1.5	0.3	0.3	0.3	0.3	0.3	C200	80	29

MEDIUM VOLTAGE SWITCHGEAR CTs

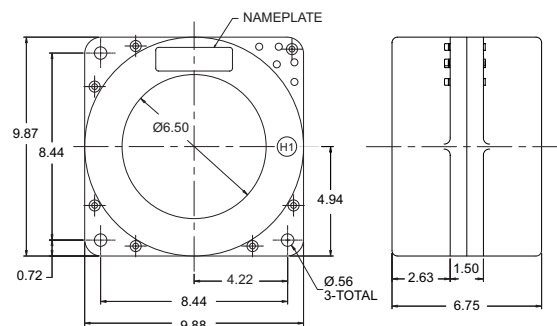
TYPE SCV-D

1VAP428602-DB

600 Volts
Indoor
10 kV BIL
25-400 Hertz
Mechanical Rating:
180 x Normal



UL Recognized Component



Primary Amps	Current Style Cross-Reference	Historic Reference	Rating Factor		IEEE Metering Accuracy					Relay Accuracy	Thermal Rating (x Normal, 1 sec)	Weight (lb.)
			30°C	55°C	B-0.1	B-0.2	B-0.5	B-0.9	B-1.8			
50	7525A37G01	6353C89H01	2.0	1.5	1.2	2.4	-	-	-	C10	80	48
75	7525A37G02	6353C89H02	2.0	1.5	1.2	1.2	2.4	-	-	C20	80	48
100	7525A37G03	6353C89H03	2.0	1.5	0.6	1.2	2.4	-	-	C20	80	48
150	7525A37G04	6353C89H04	2.0	1.5	0.6	0.6	1.2	2.4	-	C50	80	48
200	7525A37G05	6353C89H05	2.0	1.5	0.3	0.3	0.6	1.2	2.4	C50	80	48
250	7525A37G06	6353C89H06	2.0	1.5	0.3	0.3	0.6	1.2	2.4	C50	80	48
300	7525A37G07	6353C89H07	2.0	1.5	0.3	0.3	0.3	0.6	1.2	C100	80	48
400	7525A37G08	6353C89H08	2.0	1.5	0.3	0.3	0.3	0.6	0.6	C100	80	48
500	7525A37G09	6353C89H09	2.0	1.5	0.3	0.3	0.3	0.3	0.6	C100	80	48
600	7525A37G10	6353C89H10	2.0	1.5	0.3	0.3	0.3	0.3	0.6	C200	80	48
800	7525A37G11	6353C89H11	2.0	1.5	0.3	0.3	0.3	0.3	0.3	C200	80	48
1000	7525A37G12	6353C89H12	2.0	1.5	0.3	0.3	0.3	0.3	0.3	C200	80	48
1200	7525A37G13	6353C89H13	2.0	1.5	0.3	0.3	0.3	0.3	0.3	C400	80	48
1500	7525A37G14	6353C89H14	2.0	1.5	0.3	0.3	0.3	0.3	0.3	C400	80	48
2000	7525A37G15	6353C89H15	2.0	1.5	0.3	0.3	0.3	0.3	0.3	C400	80	48
2500	7525A37G16	6353C89H16	2.0	1.5	0.3	0.3	0.3	0.3	0.3	C400	80	48
3000	7525A37G17	6353C89H17	2.0	1.5	0.3	0.3	0.3	0.3	0.3	C400	80	48
4000	7525A37G18	6353C89H18	1.33	1.0	0.3	0.3	0.3	0.3	0.3	C400	80	48
5000	7525A37G23	-	1.0	0.75	0.3	0.3	0.3	0.3	0.3	C400	80	48
6000	7525A37G19	-	1.0	0.75	0.3	0.3	0.3	0.3	0.3	C400	80	48

Multi-Ratio, IEEE, 5 Terminals

600	7525A39G01	6436C46H01	2.0	1.5	0.3	0.3	0.3	0.3	0.6	C200	80	48
1200	7525A39G02	6436C47H01	2.0	1.5	0.3	0.3	0.3	0.3	0.3	C400	80	48
2000	7525A39G03	6436C48H01	2.0	1.5	0.3	0.3	0.3	0.3	0.3	C400	80	48
3000	7525A39G04	6436C49H01	2.0	1.5	0.3	0.3	0.3	0.3	0.3	C400	80	48
4000	7525A39G05	6436C50H01	1.33	1.0	0.3	0.3	0.3	0.3	0.3	C400	80	48
5000	7525A39G06	-	1.0	0.75	0.3	0.3	0.3	0.3	0.3	C400	80	48
6000	7525A39G11	-	1.0	0.75	0.3	0.3	0.3	0.3	0.3	C400	80	48

MEDIUM VOLTAGE SWITCHGEAR CTs

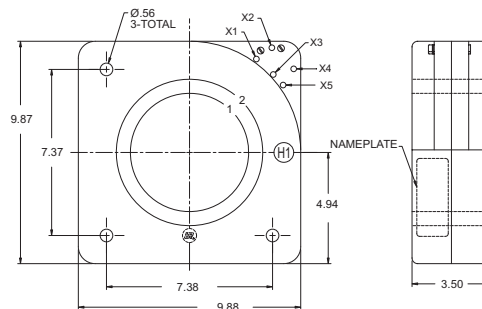
TYPES SAB-1 and SAB-2

1VAP428781-DB

600 Volts
Indoor
10 kV BIL
25-400 Hertz
Mechanical Rating:
180 x Normal



UL Recognized Component



Primary Amps	Current Style Number	Historic Style Number	Rating Factor		IEEE Metering Accuracy					Relay Accuracy	Thermal Rating (x Normal, 1 sec)	Weight (lb.)
			30°C	55°C	B-0.1	B-0.2	B-0.5	B-0.9	B-1.8			
Type SAB-1 (5.25" Window)												
50	923A329G01	9628A68G01	1.33	1.0	2.4	4.8	-	-	-	C10	80	38
75	923A329G02	9628A68G02	1.33	1.0	1.2	2.4	4.8	-	-	C10	80	38
100	923A329G03	9628A68G03	1.33	1.0	1.2	2.4	4.8	-	-	C20	80	38
150	923A329G04	9628A68G04	1.33	1.0	0.6	0.6	1.2	2.4	4.8	C20	80	38
200	923A329G05	9628A68G05	1.33	1.0	0.3	0.3	0.6	1.2	2.4	C50	80	38
250	923A329G06	9628A68G06	1.33	1.0	0.3	0.3	0.6	1.2	1.2	C50	80	38
300	923A329G07	9628A68G07	1.33	1.0	0.3	0.3	0.3	1.2	1.2	C50	80	38
400	923A329G08	9628A68G08	1.33	1.0	0.3	0.3	0.3	0.3	0.6	C100	80	38
500	923A329G09	9628A68G09	1.33	1.0	0.3	0.3	0.3	0.3	0.6	C100	80	38
600	923A329G10	9628A68G10	1.33	1.0	0.3	0.3	0.3	0.3	0.3	C100	80	38
800	923A329G11	9628A68G11	1.33	1.0	0.3	0.3	0.3	0.3	0.3	C100	80	38
1000	923A329G12	9628A68G12	1.33	1.0	0.3	0.3	0.3	0.3	0.3	C100	80	38
1200	923A329G13	9628A68G13	1.33	1.0	0.3	0.3	0.3	0.3	0.3	C200	80	38
1500	923A329G14	9628A68G14	1.33	1.0	0.3	0.3	0.3	0.3	0.3	C200	80	38
2000	923A329G15	9628A68G15	1.33	1.0	0.3	0.3	0.3	0.3	0.3	C200	80	38
2500	923A329G16	9628A68G16	1.33	1.0	0.3	0.3	0.3	0.3	0.3	C400	80	38
3000	923A329G17	9628A68G17	1.33	1.0	0.3	0.3	0.3	0.3	0.3	C400	80	38
4000	923A329G18	9628A68G18	1.33	1.0	0.3	0.3	0.3	0.3	0.3	C400	80	38
5000	923A329G19	9628A68G19	1.0	0.5	0.3	0.3	0.3	0.3	0.3	C400	80	38
Multi-Ratio, IEEE, 5 Terminals												
600	923A329G20	9628A68G20	1.33	1.0	0.3	0.3	0.3	0.3	0.6	C100	80	38
1200	923A329G21	9628A68G21	1.33	1.0	0.3	0.3	0.3	0.3	0.3	C200	80	38
2000	923A329G22	9628A68G22	1.33	1.0	0.3	0.3	0.3	0.3	0.3	C200	80	38
3000	923A329G23	9628A68G23	1.33	1.0	0.3	0.3	0.3	0.3	0.3	C400	80	38
4000	923A329G24	9628A68G24	1.33	1.0	0.3	0.3	0.3	0.3	0.3	C400	80	38
5000	923A329G25	9628A68G25	1.0	0.5	0.3	0.3	0.3	0.3	0.3	C400	80	38
Type SAB-2 (6.5" Window)												
1500	923A330G01	9628A69G01	1.33	1.0	0.3	0.3	0.3	0.3	0.3	C200	80	38
2000	923A330G02	9628A69G02	1.33	1.0	0.3	0.3	0.3	0.3	0.3	C200	80	38
2500	923A330G03	9628A69G03	1.33	1.0	0.3	0.3	0.3	0.3	0.3	C200	80	38
3000	923A330G04	9628A69G04	1.33	1.0	0.3	0.3	0.3	0.3	0.3	C200	80	38
4000	923A330G05	9628A69G05	1.33	1.0	0.3	0.3	0.3	0.3	0.3	C200	80	38
5000	923A330G06	9628A69G06	1.0	0.5	0.3	0.3	0.3	0.3	0.3	C200	80	38
Multi-Ratio, IEEE, 5 Terminals												
2000	923A330G07	9628A69G07	1.33	1.0	0.3	0.3	0.3	0.3	0.3	C200	80	38
3000	923A330G08	9628A69G08	1.33	1.0	0.3	0.3	0.3	0.3	0.3	C200	80	38
4000	923A330G09	9628A69G09	1.33	1.0	0.3	0.3	0.3	0.3	0.3	C200	80	38
5000	923A330G10	9628A69G10	1.0	0.5	0.3	0.3	0.3	0.3	0.3	C200	80	38

MEDIUM VOLTAGE SWITCHGEAR CTs

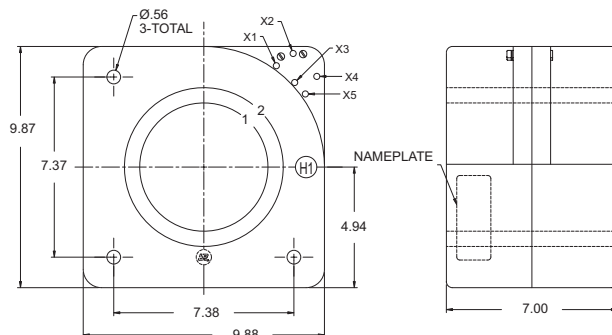
TYPES SAB-1D and SAB-2D

1VAP428781-DB

600 Volts
Indoor
10 kV BIL
25-400 Hertz
Mechanical Rating:
180 x Normal



UL Recognized Component



Primary Amps	Current Style Number	Historic Style Number	Rating Factor		IEEE Metering Accuracy					Relay Accuracy	Thermal Rating (x Normal, 1 sec)	Weight (lb.)
			30°C	55°C	B-0.1	B-0.2	B-0.5	B-0.9	B-1.8			
Type SAB-1D (5.25" Window)												
50	923A331G01	9628A70G01	1.33	1.0	2.4	4.8	-	-	-	C20	80	65
75	923A331G02	9628A70G02	1.33	1.0	1.2	2.4	4.8	-	-	C20	80	65
100	923A331G03	9628A70G03	1.33	1.0	0.6	1.2	2.4	4.8	4.8	C50	80	65
150	923A331G04	9628A70G04	1.33	1.0	0.3	0.6	1.2	1.2	2.4	C50	80	65
200	923A331G05	9628A70G05	1.33	1.0	0.3	0.6	1.2	1.2	2.4	C100	80	65
250	923A331G06	9628A70G06	1.33	1.0	0.3	0.3	0.6	0.6	1.2	C100	80	65
300	923A331G07	9628A70G07	1.33	1.0	0.3	0.3	0.3	0.6	1.2	C100	80	65
400	923A331G08	9628A70G08	1.33	1.0	0.3	0.3	0.3	0.3	0.6	C200	80	65
500	923A331G09	9628A70G09	1.33	1.0	0.3	0.3	0.3	0.3	0.3	C200	80	65
600	923A331G10	9628A70G10	1.33	1.0	0.3	0.3	0.3	0.3	0.3	C200	80	65
800	923A331G11	9628A70G11	1.33	1.0	0.3	0.3	0.3	0.3	0.3	C200	80	65
1000	923A331G12	9628A70G12	1.33	1.0	0.3	0.3	0.3	0.3	0.3	C200	80	65
1200	923A331G13	9628A70G13	1.33	1.0	0.3	0.3	0.3	0.3	0.3	C400	80	65
1500	923A331G14	9628A70G14	1.33	1.0	0.3	0.3	0.3	0.3	0.3	C400	80	65
2000	923A331G15	9628A70G15	1.33	1.0	0.3	0.3	0.3	0.3	0.3	C400	80	65
2500	923A331G16	9628A70G16	1.33	1.0	0.3	0.3	0.3	0.3	0.3	C800	80	65
3000	923A331G17	9628A70G17	1.33	1.0	0.3	0.3	0.3	0.3	0.3	C800	80	65
4000	923A331G18	9628A70G18	1.33	1.0	0.3	0.3	0.3	0.3	0.3	C800	80	65
5000	923A331G25	9628A70G25	1.0	0.5	0.3	0.3	0.3	0.3	0.3	C800	80	65
Multi-Ratio, IEEE, 5 Terminals												
600	923A331G19	9628A70G19	1.33	1.0	0.3	0.3	0.3	0.3	0.3	C200	80	65
1200	923A331G20	9628A70G20	1.33	1.0	0.3	0.3	0.3	0.3	0.3	C400	80	65
2000	923A331G21	9628A70G21	1.33	1.0	0.3	0.3	0.3	0.3	0.3	C800	80	65
3000	923A331G22	9628A70G22	1.33	1.0	0.3	0.3	0.3	0.3	0.3	C800	80	65
4000	923A331G23	9628A70G23	1.33	1.0	0.3	0.3	0.3	0.3	0.3	C800	80	65
5000	923A331G24	9628A70G24	1.0	0.5	0.3	0.3	0.3	0.3	0.3	C800	80	65
Type SAB-2D (6.50" Window)												
1500	923A332G01	9628A71G01	1.33	1.0	0.3	0.3	0.3	0.3	0.3	C400	80	65
2000	923A332G02	9628A71G02	1.33	1.0	0.3	0.3	0.3	0.3	0.3	C400	80	65
2500	923A332G03	9628A71G03	1.33	1.0	0.3	0.3	0.3	0.3	0.3	C400	80	65
3000	923A332G04	9628A71G04	1.33	1.0	0.3	0.3	0.3	0.3	0.3	C400	80	65
4000	923A332G05	9628A71G05	1.33	1.0	0.3	0.3	0.3	0.3	0.3	C400	80	65
5000	923A332G06	9628A71G06	1.0	0.5	0.3	0.3	0.3	0.3	0.3	C400	80	65
Multi-Ratio, IEEE, 5 Terminals												
2000	923A332G07	9628A71G07	1.33	1.0	0.3	0.3	0.3	0.3	0.3	C400	80	65
3000	923A332G08	9628A71G08	1.33	1.0	0.3	0.3	0.3	0.3	0.3	C400	80	65
4000	923A332G09	9628A71G09	1.33	1.0	0.3	0.3	0.3	0.3	0.3	C400	80	65
5000	923A332G10	9628A71G10	1.0	0.5	0.3	0.3	0.3	0.3	0.3	C400	80	65

MEDIUM VOLTAGE SWITCHGEAR CTs

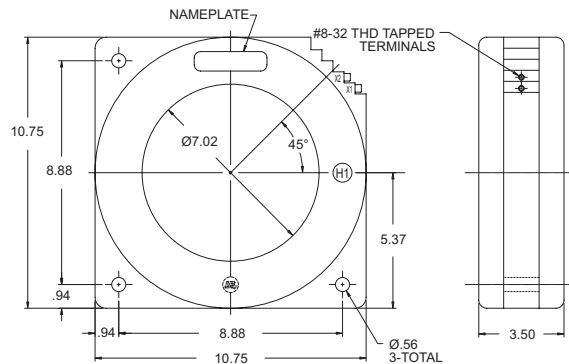
TYPE SCR

1VAP428791-DB

600 Volts
Indoor
10 kV BIL
25-400 Hertz
Mechanical Rating:
180 x Normal



UL Recognized Component



Primary Amps	Style Number	Rating Factor		IEEE Metering Accuracy					Relay Accuracy	Thermal Rating (x Normal, 1 sec)	Weight (lb.)
		30°C	55°C	B-0.1	B-0.2	B-0.5	B-0.9	B-1.8			

Type SCR (7.02" Window)

50	9628A62G17	1.33	1.0	4.8	4.8	-	-	-	C5	80	32
75	9628A62G18	1.33	1.0	2.4	4.8	-	-	-	C10	80	32
100	9628A62G01	1.33	1.0	2.4	4.8	-	-	-	C10	80	32
150	9628A62G02	1.33	1.0	0.6	1.2	2.4	-	-	C20	80	32
200	9628A62G03	1.33	1.0	0.6	1.2	1.2	-	-	C20	80	32
250	9628A62G04	1.33	1.0	0.6	0.6	1.2	2.4	-	C20	80	32
300	9628A62G05	1.33	1.0	0.6	0.6	0.6	1.2	2.4	C20	80	32
400	9628A62G06	1.33	1.0	0.3	0.6	0.6	1.2	2.4	C50	80	32
500	9628A62G07	1.33	1.0	0.3	0.3	0.3	0.6	1.2	C50	80	32
600	9628A62G08	1.33	1.0	0.3	0.3	0.3	0.6	1.2	C100	80	32
800	9628A62G09	1.33	1.0	0.3	0.3	0.3	0.6	0.6	C100	80	32
1000	9628A62G10	1.33	1.0	0.3	0.3	0.3	0.3	0.3	C100	80	32
1200	9628A62G11	1.33	1.0	0.3	0.3	0.3	0.3	0.3	C200	80	32
1500	9628A62G12	1.33	1.0	0.3	0.3	0.3	0.3	0.3	C200	80	32
2000	9628A62G13	1.33	1.0	0.3	0.3	0.3	0.3	0.3	C200	80	32
2500	9628A62G14	1.33	1.0	0.3	0.3	0.3	0.3	0.3	C200	80	32
3000	9628A62G15	1.33	1.0	0.3	0.3	0.3	0.3	0.3	C200	80	32
4000	9628A62G16	1.33	1.0	0.3	0.3	0.3	0.3	0.3	C200	80	32

Multi-Ratio, IEEE, 5 Terminals

600	9628A64G01	1.33	1.0	0.3	0.3	0.3	0.6	1.2	C100	80	32
1200	9628A64G02	1.33	1.0	0.3	0.3	0.3	0.3	0.3	C200	80	32
2000	9628A64G03	1.33	1.0	0.3	0.3	0.3	0.3	0.3	C200	80	32
3000	9628A64G04	1.33	1.0	0.3	0.3	0.3	0.3	0.3	C200	80	32
4000	9628A64G05	1.33	1.0	0.3	0.3	0.3	0.3	0.3	C200	80	32
5000	9628A64G06	1.33	1.0	0.3	0.3	0.3	0.3	0.3	C200	80	32

MEDIUM VOLTAGE SWITCHGEAR CTs

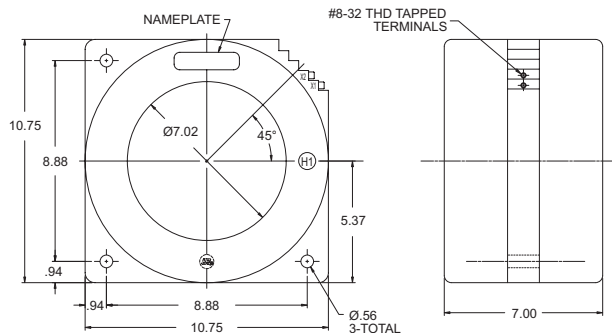
TYPE SCR-D

1VAP428791-DB

600 Volts
Indoor
10 kV BIL
25-400 Hertz
Mechanical Rating:
180 x Normal



UL Recognized Component



Primary Amps	Style Number	Rating Factor		IEEE Metering Accuracy					Relay Accuracy	Thermal Rating (x Normal, 1 sec)	Weight (lb.)
		30°C	55°C	B-0.1	B-0.2	B-0.5	B-0.9	B-1.8			

Type SCR-D (7.02" Window)

50	9628A63G17	1.33	1.0	1.2	2.4	-	-	-	C10	80	62
75	9628A63G18	1.33	1.0	2.4	2.4	4.8	-	-	C20	80	62
100	9628A63G01	1.33	1.0	0.6	1.2	2.4	-	-	C20	80	62
150	9628A63G02	1.33	1.0	0.6	1.2	1.2	2.4	4.8	C50	80	62
200	9628A63G03	1.33	1.0	0.3	0.3	0.6	1.2	2.4	C50	80	62
250	9628A63G04	1.33	1.0	0.3	0.3	0.6	0.6	2.4	C50	80	62
300	9628A63G05	1.33	1.0	0.3	0.3	0.3	0.6	1.2	C100	80	62
400	9628A63G06	1.33	1.0	0.3	0.3	0.3	0.6	0.6	C100	80	62
500	9628A63G07	1.33	1.0	0.3	0.3	0.3	0.3	0.3	C100	80	62
600	9628A63G08	1.33	1.0	0.3	0.3	0.3	0.3	0.3	C200	80	62
800	9628A63G09	1.33	1.0	0.3	0.3	0.3	0.3	0.3	C200	80	62
1000	9628A63G10	1.33	1.0	0.3	0.3	0.3	0.3	0.3	C200	80	62
1200	9628A63G11	1.33	1.0	0.3	0.3	0.3	0.3	0.3	C400	80	62
1500	9628A63G12	1.33	1.0	0.3	0.3	0.3	0.3	0.3	C400	80	62
2000	9628A63G13	1.33	1.0	0.3	0.3	0.3	0.3	0.3	C400	80	62
2500	9628A63G14	1.33	1.0	0.3	0.3	0.3	0.3	0.3	C400	80	62
3000	9628A63G15	1.33	1.0	0.3	0.3	0.3	0.3	0.3	C400	80	62
4000	9628A63G16	1.33	1.0	0.3	0.3	0.3	0.3	0.3	C400	80	62

Multi-Ratio, IEEE, 5 Terminals

600	9628A65G01	1.33	1.0	0.3	0.3	0.3	0.3	0.6	C200	80	62
1200	9628A65G02	1.33	1.0	0.3	0.3	0.3	0.3	0.3	C400	80	62
2000	9628A65G03	1.33	1.0	0.3	0.3	0.3	0.3	0.3	C400	80	62
3000	9628A65G04	1.33	1.0	0.3	0.3	0.3	0.3	0.3	C400	80	62
4000	9628A65G05	1.33	1.0	0.3	0.3	0.3	0.3	0.3	C400	80	62
5000	9628A65G06	1.33	1.0	0.3	0.3	0.3	0.3	0.3	C400	80	62

AUXILIARY CURRENT TRANSFORMERS

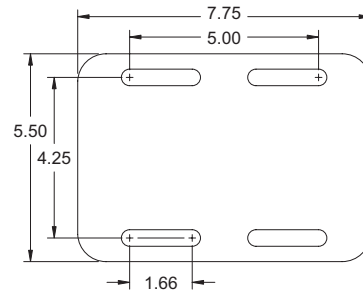
AUXILIARY

1VAP428501-DB

Indoor
Test Voltage: 2500 Volts
25 through 60 Hertz



Mounting Base Dimensions (inches)

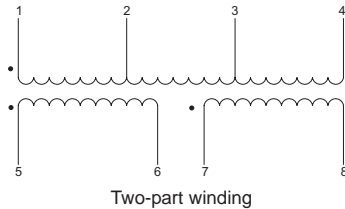


Style Number	Winding Turns					Relay Accuracy	IEEE Metering Accuracy	Height (in.)	Width (in.)	Length (in.)	Weight (lb.)
	1-2	2-3	3-4	5-6	7-8						

Multi-ratio Auxiliary

7881A02G01	160	40	67	800	800	T50	0.3B-0.5, 0.6B-1.8	7.0	5.5	8.50	23
7881A02G02	160	40	67	200	200	T50	0.3B-0.5, 0.6B-1.8	7.0	5.5	8.50	23
7881A02G03	80	20	33	80	80	T50	0.3B-0.5, 0.6B-1.8	7.0	5.5	8.50	23
7881A02G04	80	20	33	800	800	T50	0.3B-0.5, 0.6B-1.8	7.0	5.5	8.50	23
7881A02G05	80	20	33	400	400	T50	0.3B-0.5, 0.6B-1.8	7.0	5.5	8.50	23
7881A02G06	80	20	33	100	100	T50	0.3B-0.5, 0.6B-1.8	7.0	5.5	8.50	23
7881A02G07	195	7	32	117	117	T50	0.3B-0.5, 0.6B-1.8	7.0	5.5	8.50	23
7881A03G01	125	25	50	25	25	T50	0.3B-0.5, 0.6B-1.8	7.0	5.5	8.50	23
7881A03G02	160	40	67	40	40	T50	0.3B-0.5, 0.6B-1.8	7.0	5.5	8.50	23
7881A03G03	160	40	67	80	80	T50	0.3B-0.5, 0.6B-1.8	7.0	5.5	8.50	23
7881A03G04	160	40	67	400	400	T50	0.3B-0.5, 0.6B-1.8	7.0	5.5	8.50	23

Multi-Ratio Winding Development Tapped Winding

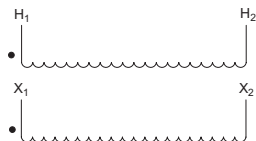


Ratio	Style Number	Winding Turns					Relay Accuracy	IEEE Metering Accuracy	Height (in.)	Width (in.)	Length (in.)	Weight (lb.)
		1-2	2-3	3-4	5-6	7-8						

Single-ratio Auxiliary

5:5	7881A01G01	140	-	-	140	-	T50	0.3B-0.5, 0.6B-1.8	6.37	5.75	7.75	23
10:5	7881A01G02	70	-	-	140	-	T50	0.3B-0.5, 0.6B-1.8	6.37	5.75	7.75	23
15:5	7881A01G03	47	-	-	141	-	T50	0.3B-0.5, 0.6B-1.8	6.37	5.75	7.75	23

Single Ratio Winding Development



MEDIUM VOLTAGE SWITCHGEAR CTs

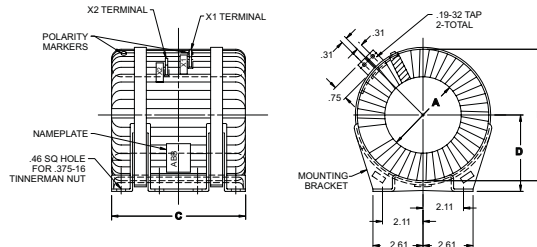
TYPE RCT

1VAP428541-DB

Test Voltage: 2500 Volts

Indoor
25-400 Hertz

Mechanical Rating:
180 x normal



Type	A	B	C	D	Ratio Normally Supplied
RCT-5	4.00	6.88	7.00	4.00	up thru 600:5
RCT-5	4.81	6.88	7.00	4.00	800:5 thru 3000:5
RCT-15	5.75	9.50	6.75	5.50	up thru 600:5
RCT-15*	6.56	9.50	6.75	5.50	*800:5 thru 5000:5
RCT-7*	7.00	9.50	6.75	5.50	*2000:5 and up

*Except for dimension B, the RCT-7 is the same as the RCT-15.

Primary Amps	Style Number	Rating Factor @ 30° C	IEEE Metering Accuracy					Relay Accuracy	Thermal Rating (x Normal, 1 sec)	Weight (lb.)
			B-0.1	B-0.2	B-0.5	B-0.9	B-1.8			

Type RCT-5

50	593C309G01	1.33	1.2	-	-	-	-	C10	180	60
75	593C303G01	1.33	0.6	1.2	2.4	-	-	C20	180	33
100	593C310G01	1.33	0.6	1.2	2.4	-	-	C20	180	34
150	593C320G01	1.33	0.6	0.6	1.2	-	-	C50	180	34
200	593C330G01	1.33	0.6	0.6	1.2	1.2	2.4	C50	180	29
250	593C343G01	1.33	0.6	0.6	0.6	1.2	1.2	C50	180	30
300	593C350G01	1.33	0.6	0.6	1.2	1.2	2.4	C20	180	21
400	593C370G01	1.33	0.3	0.3	1.2	1.2	2.4	C100	180	28
500	593C390G01	1.33	0.6	0.6	0.6	1.2	1.2	C100	180	30
600	593C400G01	1.33	0.3	0.3	0.3	0.3	0.6	C100	180	25
800	593C420G01	1.33	0.3	0.3	0.3	0.3	0.6	C50	180	15
1000	593C433G01	1.33	0.3	0.3	0.3	0.3	0.6	C50	180	16
1200	593C440G01	1.33	0.3	0.3	0.3	0.3	0.3	C100	180	18
1500	593C470G01	1.33	0.3	0.3	0.3	0.3	0.3	C100	180	20
2000	593C480G01	1.33	0.3	0.3	0.3	0.3	0.3	C100	180	20
2500	593C530G01	1.33	0.3	0.3	0.3	0.3	0.3	C100	180	21
3000	593C552G01	1.33	0.3	0.3	0.3	0.3	0.3	C100	180	23

Type RCT-7

2000	593C516G01	1.33	0.3	0.3	0.3	0.3	0.3	C400	180	41
2500	593C537G01	1.33	0.3	0.3	0.3	0.3	0.3	C400	180	35
3000	593C572G01	1.33	0.3	0.3	0.3	0.3	0.3	C400	180	36
4000	593C592G01	1.33	0.3	0.3	0.3	0.3	0.3	C200	180	36
5000	593C604G01	1.33	0.3	0.3	0.3	0.3	0.3	C200	180	38

Type RCT-15

50	593C308G01	1.33	2.4	-	-	-	-	C20	180	60
75	593C304G01	1.33	0.6	1.2	2.4	-	-	C20	180	65
100	593C311G01	1.33	0.6	1.2	2.4	-	-	C50	180	65
150	593C321G01	1.33	0.6	0.6	1.2	-	-	C50	180	65
200	593C332G01	1.33	0.6	0.6	0.6	1.2	2.4	C100	180	64
250	593C344G01	1.33	0.6	0.6	0.6	0.6	1.2	C100	180	60
300	593C352G01	1.33	0.3	0.3	0.6	0.6	1.2	C100	180	66
400	593C372G01	1.33	0.3	0.3	0.3	0.6	0.6	C200	180	66
500	593C392G01	1.33	0.3	0.3	0.3	0.3	0.6	C200	180	59
600	593C403G01	1.33	0.3	0.3	0.3	0.3	0.6	C200	180	59
800	593C421G01	1.33	0.3	0.3	0.3	0.3	0.6	C100	180	38
1000	593C434G01	1.33	0.3	0.3	0.3	0.3	0.3	C200	180	33
1200	593C443G01	1.33	0.3	0.3	0.3	0.3	0.3	C200	180	33
1500	593C472G01	1.33	0.3	0.3	0.3	0.3	0.3	C200	180	35
2000	593C484G01	1.33	0.3	0.3	0.3	0.3	0.3	C200	180	35
2500	593C532G01	1.33	0.3	0.3	0.3	0.3	0.3	C100	180	25
3000	593C553G01	1.33	0.3	0.3	0.3	0.3	0.3	C100	180	25

MEDIUM VOLTAGE SWITCHGEAR CTs

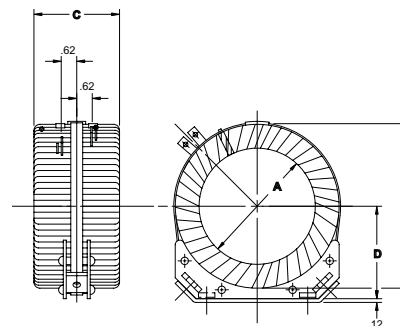
TYPE RTL

1VAP428551-DB

Test Voltage: 2500 Volts

Indoor
25-400 Hertz

Mechanical Rating:
180 x normal



Optional Mounting Accessories:

Bracket for 5 kV 3470B39G02
Bracket for 15 kV 3470B40G02

Type	A	B	C	D	Ratios Normally Supplied
RTL-5	4.00	6.97	3.59	3.88	150:5 thru 600:5
RTL-5	4.81	6.97	3.59	3.88	800:5 thru 1000:5
RTL-5	4.81	6.97	3.59	3.88	2000:5
RTL-15	5.75	9.59	3.47	5.50	150:5 thru 600:5
RTL-15	6.56	9.59	3.47	5.50	800:5 thru 1500:5
RTL-7	7.00	9.59	3.47	5.50	2000:5 and up

Primary Amps	Style Number	Rating Factor @ 30° C	IEEE Metering Accuracy					Relay Accuracy	Thermal Rating (x Normal, 1 sec)	Weight (lb.)
			B-0.1	B-0.2	B-0.5	B-0.9	B-1.8			
Type RTL-5										
150	3834A03G01	1.33	0.6	1.2	2.4	-	-	C20	60	17
200	3834A04G01	1.33	0.6	1.2	2.4	-	-	C20	60	15
250	3834A05G01	1.33	0.6	1.2	2.4	-	-	C20	60	15
300	3834A06G01	1.33	0.6	1.2	2.4	-	-	C20	60	13
400	3834A07G01	1.33	0.3	0.6	1.2	1.2	2.4	C50	60	17
500	3834A08G01	1.33	0.3	0.6	1.2	1.2	2.4	C50	60	17
600	3834A09G01	1.33	0.3	0.3	0.3	1.2	2.4	C50	60	13
800	3831A10G01	1.33	0.3	0.3	0.3	1.2	1.2	C50	60	13
1000	3834A11G01	1.33	0.3	0.3	0.3	0.6	1.2	C50	60	13
1200	3834A19G01	1.33	0.3	0.3	0.3	0.3	0.3	C100	60	13
1500	3834A20G01	1.33	0.3	0.3	0.3	0.3	0.3	C100	60	13
2000	3834A14G01	1.33	0.3	0.3	0.3	0.3	0.3	C100	60	13
Type RTL-7										
2000	3834A34G01	1.33	0.3	0.3	0.3	0.3	0.3	C100	60	17
2500	3834A35G01	1.33	0.3	0.3	0.3	0.3	0.3	C100	60	18
3000	3834A36G01	1.33	0.3	0.3	0.3	0.3	0.3	C100	60	17
4000	3834A37G01	1.33	0.3	0.3	0.3	0.3	0.3	C100	60	17
Type RTL-15										
150	3834A23G01	1.33	0.6	1.2	2.4	-	-	C20	60	26
200	3834A24G01	1.33	0.6	1.2	2.4	-	-	C20	60	22
250	3834A25G01	1.33	0.6	1.2	2.4	-	-	C20	60	17
300	3834A26G01	1.33	0.6	1.2	2.4	2.4	2.4	C20	60	16
400	3834A27G01	1.33	0.3	0.6	1.2	1.2	2.4	C50	60	22
500	3834A28G01	1.33	0.3	0.6	1.2	1.2	2.4	C50	60	20
600	3834A29G01	1.33	0.3	0.3	0.3	1.2	2.4	C50	60	19
800	3834A30G01	1.33	0.3	0.3	0.3	0.6	1.2	C50	60	15
1000	3834A31G01	1.33	0.3	0.3	0.3	0.6	1.2	C50	60	16
1200	3834A32G01	1.33	0.3	0.3	0.3	0.3	0.3	C100	60	18
1500	3834A33G01	1.33	0.3	0.3	0.3	0.3	0.3	C100	60	17

600 V VOLTAGE TRANSFORMERS

TYPES PPW and PPD

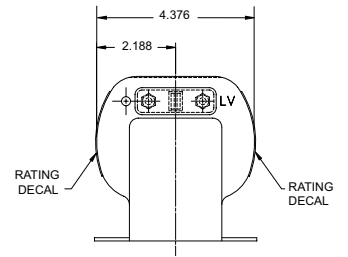
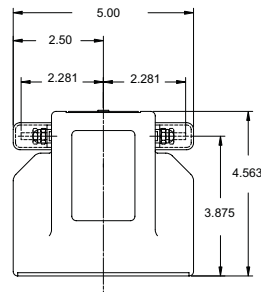
1VAP428711-DB

600 Volts
Indoor/Outdoor
10 kV BIL
60 Hertz

Thermal Rating:
150 VA @ 30° C Ambient
100 VA @ 55° C Ambient



UL Recognized Component



Primary Voltage	Style Number	Ratio	IEEE Metering Accuracy	Height (in.)	Width (in.)	Length (in.)	Weight (lb.)
Type PPW							
115/200Y	7526A04G10	1.061:1	0.3W, 0.6X	4.56	4.50	5.00	9
120/208Y	7526A04G07	1:1	0.6W	4.56	4.50	5.00	9
240/416Y	7526A04G01	2:1	0.3W, 0.6X	4.56	4.50	5.00	9
276/478Y	7526A04G09	2.3:1	0.3W, 0.6X	4.56	4.50	5.00	9
288/500Y	7526A04G02	2.4:1	0.3W, 0.6X	4.56	4.50	5.00	9
300/520Y	7526A04G03	2.5:1	0.3W, 0.6X	4.56	4.50	5.00	9
400/400Y	7526A04G06	3.33:1	0.3W, 0.6X	4.56	4.50	5.00	9
480/480Y	7526A04G04	4:1	0.3W, 0.6X	4.56	4.50	5.00	9
480/480Y	7526A04G08	2:1	0.3@12.5VA	4.56	4.50	5.00	9
500/500Y	7526A04G11	4.167:1	0.3W, 0.6X	4.56	4.50	5.00	9
600/600Y	7526A04G05	5:1	0.3W, 0.6X	4.56	4.50	5.00	9
600/600Y	7526A04G12	2.5:1	0.3W, 0.6X	4.56	4.50	5.00	9

Type PPD							
69.4/120Y	7526A05G06	0.58:1	0.6W, 1.2X	4.56	4.50	5.00	9
120/208Y	7526A05G07	1:1	0.6W, 1.2X	4.56	4.50	5.00	9
208/208Y	7526A05G08	1.73:1	0.6W, 1.2X	4.56	4.50	5.00	9
240/416Y	7526A05G01	2:1	0.6W, 1.2X	4.56	4.50	5.00	9
288/500Y	7526A05G02	2.4:1	0.6W, 1.2X	4.56	4.50	5.00	9
300/520Y	7526A05G03	2.5:1	0.6W, 1.2X	4.56	4.50	5.00	9
380/380Y	7526A05G09	3.17:1	0.6W, 1.2X	4.56	4.50	5.00	9
480/480Y	7526A05G04	4:1	0.6W, 1.2X	4.56	4.50	5.00	9
600/600Y	7526A05G05	5:1	0.6W, 1.2X	4.56	4.50	5.00	9

600 V VOLTAGE TRANSFORMERS

TYPES PPM and PPX

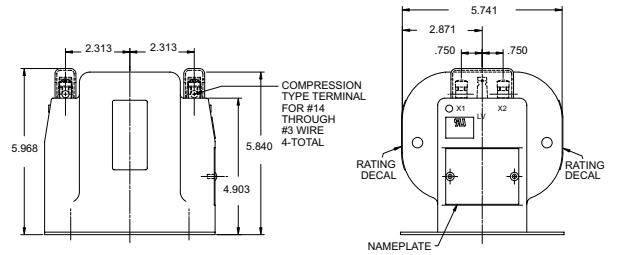
1VAP428731-DB

600 Volts
Indoor/Outdoor
10 kV BIL
60 Hertz

Thermal Rating:
500 VA @ 30° C Ambient
350 VA @ 55° C Ambient



UL Recognized Component



Primary Voltage	Style Number	Ratio	IEEE Metering Accuracy	Height (in.)	Width (in.)	Length (in.)	Weight (lb.)
-----------------	--------------	-------	------------------------	--------------	-------------	--------------	--------------

Type PPM							
240/416Y	7526A10G01	2:1	0.3Y	5.97	5.87	6.12	19
288/500Y	7526A10G02	2.4:1	0.3Y	5.97	5.87	6.12	19
300/520Y	7526A10G03	2.5:1	0.3Y	5.97	5.87	6.12	19
480/480Y	7526A10G04	4:1	0.3Y	5.97	5.87	6.12	19
600/600Y	7526A10G05	5:1	0.3Y	5.97	5.87	6.12	19
120/208Y	7526A10G06	1:1	0.3Y	5.97	5.87	6.12	19

Type PPX							
40/70Y	7525A16G06	.3333:1	0.3W, 0.6X	5.97	5.87	6.12	19
48/83Y	7525A16G07	0.4:1	0.3W, 0.6X, 1.2Y	5.97	5.87	6.12	19
60/104Y	+ 7525A16G10	0.5:1	0.6Y	5.97	5.87	6.12	19
69.3/120Y	7525A16G03	0.578:1	0.3W, 0.6Y	5.97	5.87	6.12	19
120/208Y	+ 7525A16G01	1:1	0.6Y	5.97	5.87	6.12	19
120/208Y *	+ 7525A16G05	1.7143:1	0.3X	5.97	5.87	6.12	19
207.8/360Y	7525A16G09	1.7317:1	0.3Y	5.97	5.87	6.12	19
346/600Y	7525A16G08	2.8833:1	0.3Y	5.97	5.87	6.12	19
400/400Y	+ 7525A16G04	3.33:1	0.3W, 0.6X	5.97	5.87	6.12	19

* 70 V Secondary
+ Thermal rating: 350 VA @ 30° C Ambient (50 Hz)

MEDIUM VOLTAGE SWITCHGEAR CTs

TYPE AB-5

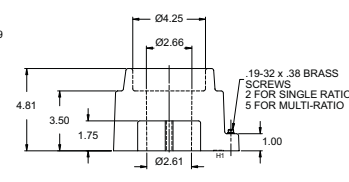
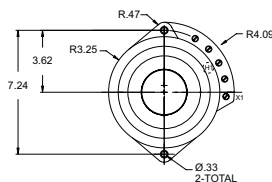
1VAP429091-DB

5 kV
Indoor
60 kV BIL
60 Hertz

Mechanical Rating:
180 x Normal



UL Recognized Component



Primary Amps	Style Number	Rating Factor 30°C	IEEE Metering Accuracy					Relay Accuracy	Thermal Rating (x Normal, 1 sec)	Weight (lb.)
			B-0.1	B-0.2	B-0.5	B-0.9	B-1.8			

Type AB-5

75	^	9628A91G01	1.33	1.2	1.2	-	-	-	C10	80	16
100	^	9628A91G02	1.33	0.6	1.2	-	-	-	C10	80	16
150	^	9628A91G03	1.33	0.3	0.6	1.2	-	-	C20	80	16
200	^	9628A91G04	1.33	0.3	0.6	1.2	-	-	C20	80	16
250	^	9628A91G05	1.33	0.3	0.3	0.6	1.2	-	C20	80	16
300	^	9628A91G06	1.33	0.3	0.3	0.3	1.2	2.4	C50	80	16
400	^	9628A91G07	1.33	0.3	0.3	0.3	0.6	1.2	C50	80	16
500	^	9628A91G08	1.33	0.3	0.3	0.3	0.3	0.6	C50	80	16
600	^	9628A91G09	1.33	0.3	0.3	0.3	0.3	0.6	C100	80	16
800	^	9628A91G10	1.33	0.3	0.3	0.3	0.3	0.3	C100	80	16
1000	^	9628A91G11	1.33	0.3	0.3	0.3	0.3	0.3	C100	80	16
1200	^	9628A91G12	1.33	0.3	0.3	0.3	0.3	0.3	C160	80	16
1500		9628A91G13	1.33	0.3	0.3	0.3	0.3	0.3	C200	80	16
2000	*	9628A91G14	1.33	0.3	0.3	0.3	0.3	0.3	C200	80	16
2500	*	9628A91G15	1.0	0.3	0.3	0.3	0.3	0.3	C200	80	16
3000	*	9628A91G16	-	0.3	0.3	0.3	0.3	0.3	C200	80	16
4000	*	9628A91G17	-	0.3	0.3	0.3	0.3	0.3	C200	80	16

* Maximum continuous current is 2000 amperes.

^ Continuous Current Rating Factor: 1.0 @ 55°C Ambient for 75 - 1200 amps

Multi Ratio, IEEE, 5 Terminals

600		9629A15G01	1.33	0.3	0.3	0.3	0.3	0.6	C100	80	16
1200		9629A15G02	1.33	0.3	0.3	0.3	0.3	0.3	C160	80	16
2000		9629A15G03	1.0	0.3	0.3	0.3	0.3	0.3	C200	80	16
3000		9629A15G04	0.67	0.3	0.3	0.3	0.3	0.3	C200	80	16
4000		9629A15G05	0.50	0.3	0.3	0.3	0.3	0.3	C200	80	16

5 - 8.7 kV INDOOR CURRENT TRANSFORMERS

TYPES KIR-60 and KIR-75

1VAP429141-DB

60 and 75 kV BIL
Indoor
50/60 Hertz



Mechanical Rating:

5 thru 600 Amps, 150 x normal
800 Amps, 110 x normal

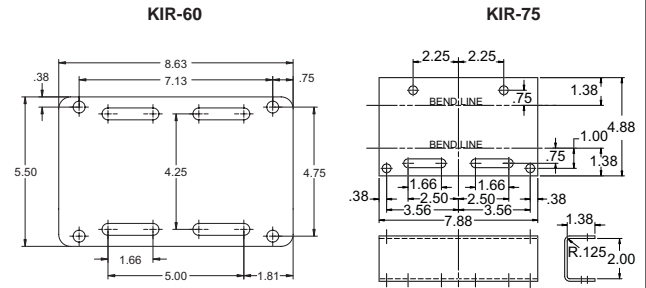
Thermal Rating:

5 thru 600 Amps, 100 x normal, 1 sec
800 Amps, 75 x normal, 1 sec



UL Recognized Component

Mounting Base Dimensions (in.)



Primary Amps	Style Number	Rating Factor	IEEE Metering Accuracy	Relay Accuracy	Height (in.)	Width (in.)	Length (in.)	Weight (lb.)
--------------	--------------	---------------	------------------------	----------------	--------------	-------------	--------------	--------------

Type KIR-60

5	7524A01G01	1.5	0.3B-1.8	T100	8.06	6.13	15.0	35
10	7524A01G02	1.5	0.3B-1.8	T100	8.06	6.13	15.0	35
15	7524A01G03	1.5	0.3B-1.8	T100	8.06	6.13	15.0	35
20	7524A01G04	1.5	0.3B-1.8	T100	8.06	6.13	15.0	35
25	7524A01G05	1.5	0.3B-1.8	T100	8.06	6.13	15.0	35
30	7524A01G06	1.5	0.3B-1.8	T100	8.06	6.13	15.0	35
40	7524A01G07	1.5	0.3B-1.8	T100	8.06	6.13	15.0	35
50	7524A01G08	1.5	0.3B-1.8	T100	8.06	6.13	15.0	35
75	7524A01G09	1.5	0.3B-1.8	T100	8.06	6.13	15.0	35
100	7524A01G10	1.5	0.3B-1.8	T100	8.06	6.13	15.0	35
150	7524A01G11	1.5	0.3B-1.8	T100	8.06	6.13	15.0	35
200	7524A01G12	1.5	0.3B-1.8	T100	8.06	6.13	15.0	35
300	7524A01G13	1.5	0.3B-1.8	T100	8.06	6.13	15.0	38
400	7524A01G14	1.5	0.3B-1.8	T100	8.06	6.13	15.0	38
500	7524A01G19	1.5	0.3B-1.8	T100	8.06	6.13	15.0	38
600	7524A01G15	1.5	0.3B-1.8	T100	8.06	6.13	15.0	38
800	7524A01G16	1.33	0.3B-1.8	T100	8.06	6.13	15.0	38
1000	7524A01G21	1.2	0.3B-1.8	T100	8.06	6.13	15.0	38
1200	7524A01G20	1.0	0.3B-1.8	T100	8.06	6.13	15.0	38

Type KIR-75

5	7524A02G01	1.5	0.3B-1.8	T100	8.06	6.13	15.0	35
10	7524A02G02	1.5	0.3B-1.8	T100	8.06	6.13	15.0	35
15	7524A02G03	1.5	0.3B-1.8	T100	8.06	6.13	15.0	35
20	7524A02G04	1.5	0.3B-1.8	T100	8.06	6.13	15.0	35
25	7524A02G05	1.5	0.3B-1.8	T100	8.06	6.13	15.0	35
30	7524A02G06	1.5	0.3B-1.8	T100	8.06	6.13	15.0	35
40	7524A02G07	1.5	0.3B-1.8	T100	8.06	6.13	15.0	35
50	7524A02G08	1.5	0.3B-1.8	T100	8.06	6.13	15.0	35
75	7524A02G09	1.5	0.3B-1.8	T100	8.06	6.13	15.0	35
100	7524A02G10	1.5	0.3B-1.8	T100	8.06	6.13	15.0	35
150	7524A02G11	1.5	0.3B-1.8	T100	8.06	6.13	15.0	35
200	7524A02G12	1.5	0.3B-1.8	T100	8.06	6.13	15.0	35
250	7524A02G18	1.5	0.3B-1.8	T100	8.06	6.13	15.0	35
300	7524A02G13	1.5	0.3B-1.8	T100	8.06	6.13	15.0	39
400	7524A02G14	1.5	0.3B-1.8	T100	8.06	6.13	15.0	39
500	7524A02G17	1.5	0.3B-1.8	T100	8.06	6.13	15.0	39
600	7524A02G15	1.5	0.3B-1.8	T100	8.06	6.13	15.0	39
800	7524A02G16	1.33	0.3B-1.8	T100	8.06	6.13	15.0	39
1200	7524A02G19	1.0	0.3B-1.8	T100	8.06	6.13	15.0	39

15 kV INDOOR CURRENT TRANSFORMERS

TYPE KIR-11

1VAP429141-DB

110 kV BIL
Indoor
50/60 Hertz

Mechanical Rating:

5 thru 600 Amps, 150 x normal
800 Amps, 110 x normal

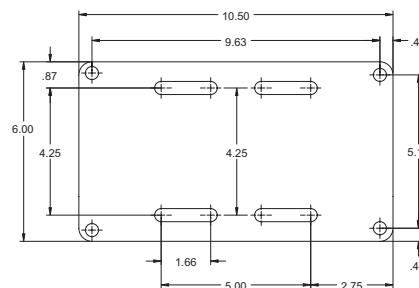
Thermal Rating:

5 thru 600 Amps, 100 x normal, 1 sec
800 Amps, 75 x normal, 1 sec



UL Recognized Component

Mounting Base Dimensions (in.)



	Primary Amps	Style Number	Rating Factor	IEEE Metering Accuracy	Relay Accuracy	Height (in.)	Width (in.)	Length (in.)	Weight (lb.)
KIR-11 Single Ratio	5	7524A03G01	1.5	0.3B-1.8	T100	8.06	6.13	15.0	56
	10	7524A03G02	1.5	0.3B-1.8	T100	8.06	6.13	15.0	56
	15	7524A03G03	1.5	0.3B-1.8	T100	8.06	6.13	15.0	56
	20	7524A03G04	1.5	0.3B-1.8	T100	8.06	6.13	15.0	56
	25	7524A03G05	1.5	0.3B-1.8	T100	8.06	6.13	15.0	56
	30	7524A03G06	1.5	0.3B-1.8	T100	8.06	6.13	15.0	56
	40	7524A03G07	1.5	0.3B-1.8	T100	8.06	6.13	15.0	56
	50	7524A03G08	1.5	0.3B-1.8	T100	8.06	6.13	15.0	56
	75	7524A03G09	1.5	0.3B-1.8	T100	8.06	6.13	15.0	56
	100	7524A03G10	1.5	0.3B-1.8	T100	8.06	6.13	15.0	56
	150	7524A03G11	1.5	0.3B-1.8	T100	8.06	6.13	15.0	56
	200	7524A03G12	1.5	0.3B-1.8	T100	8.06	6.13	15.0	56
	300	7524A03G13	1.5	0.3B-1.8	T100	8.06	6.13	15.0	61
	400	7524A03G14	1.5	0.3B-1.8	T100	8.06	6.13	15.0	61
	500	7524A03G15	1.0	0.3B-1.8	T100	8.06	6.13	15.0	61
	600	7524A03G16	1.5	0.3B-1.8	T100	8.06	6.13	15.0	61
	800	7524A03G17	1.33	0.3B-1.8	T100	8.06	6.13	15.0	61
	1000	7524A03G21	1.0	0.3B-1.8	T100	8.06	6.13	15.0	61
1200	7524A03G18	1.0	0.3B-1.8	T100	8.06	6.13	15.0	62	
KIR-11 Double Ratio	5/10	7524A04G01	2.0/1.5	0.3B-1.8 Full 0.3B-0.9 Tap	T90/T200	9.87	6.75	23	56
	10/20	7524A04G02	2.0/1.5	0.3B-1.8 Full 0.3B-0.9 Tap	T90/T200	9.87	6.75	23	56
	20/40	7524A04G03	2.0/1.5	0.3B-1.8 Full 0.3B-0.9 Tap	T90/T200	9.87	6.75	23	56
	25/50	7524A04G04	2.0/1.5	0.3B-1.8 Full 0.3B-0.9 Tap	T90/T200	9.87	6.75	23	56
	50/100	7524A04G05	2.0/1.5	0.3B-1.8 Full 0.3B-0.9 Tap	T90/T200	9.87	6.75	23	56
	75/150	7524A04G06	2.0/1.5	0.3B-1.8 Full 0.3B-0.9 Tap	T90/T200	9.87	6.75	23	56
	100/200	7524A04G07	2.0/1.5	0.3B-1.8 Full 0.3B-0.9 Tap	T90/T200	9.87	6.75	23	56
	150/300	7524A04G08	2.0/1.5	0.3B-1.8 Full 0.3B-0.9 Tap	T90/T200	9.87	6.75	23	61
	200/400	7524A04G09	2.0/1.5	0.3B-1.8 Full 0.3B-0.9 Tap	T90/T200	9.87	6.75	23	61
	300/600	7524A04G10	2.0/1.5	0.3B-1.8 Full 0.3B-0.9 Tap	T90/T200	9.87	6.75	23	61
	400/800	7524A04G11	2.0/1.33	0.3B-1.8 Full 0.3B-0.9 Tap	T100/T200	9.87	6.75	23	61
	600/1200	7524A04G12	2.0/1.0	0.3B-1.8 Full 0.3B-0.9 Tap	T90/T200	9.87	6.75	23	62

15 kV INDOOR CURRENT TRANSFORMERS

TYPE KIR-11E

110 kV BIL
Indoor
60 Hertz



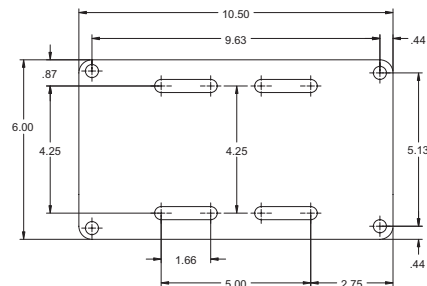
Mechanical Rating:

5 thru 600 Amps, 150 x normal
500 & 800 Amps, 110 x normal

Thermal Rating:

5 thru 600 Amps, 100 x normal, 1 sec
800 Amps, 75 x normal, 1 sec

Mounting Base Dimensions (in.)



	Primary Amps	Style Number	Rating Factor	IEEE Metering Accuracy	Relay Accuracy	Height (in.)	Width (in.)	Length (in.)	Weight (lb.)
KIR-11E Special High Accuracy	5	923A285G01	1.5	0.15B-0.5	T200	8.06	6.13	15.0	56
	10	923A285G02	1.5	0.15B-0.5	T200	8.06	6.13	15.0	56
	15	923A285G03	1.5	0.15B-0.5	T200	8.06	6.13	15.0	56
	20	923A285G04	1.5	0.15B-0.5	T200	8.06	6.13	15.0	56
	25	923A285G05	1.5	0.15B-0.5	T200	8.06	6.13	15.0	56
	30	923A285G06	1.5	0.15B-0.5	T200	8.06	6.13	15.0	56
	40	923A285G07	1.5	0.15B-0.5	T200	8.06	6.13	15.0	56
	50	923A285G08	1.5	0.15B-0.5	T200	8.06	6.13	15.0	56
	75	923A285G09	1.5	0.15B-0.5	T200	8.06	6.13	15.0	56
	100	923A285G10	1.5	0.15B-0.5	T200	8.06	6.13	15.0	56
	150	923A285G11	1.5	0.15B-0.5	T200	8.06	6.13	15.0	56
	200	923A285G12	1.5	0.15B-0.5	T200	8.06	6.13	15.0	56
	300	923A285G13	1.5	0.15B-0.5	T200	8.06	6.13	15.0	61
	400	923A285G14	1.5	0.15B-0.5	T200	8.06	6.13	15.0	61
	500	923A285G15	1.0	0.15B-0.5	T200	8.06	6.13	15.0	61
	600	923A285G16	1.5	0.15B-0.5	T200	8.06	6.13	15.0	61
	800	923A285G17	1.33	0.15B-0.5	T200	8.06	6.13	15.0	61
	1000	923A285G21	1.0	0.15B-0.5	T200	8.06	6.13	15.0	61
1200	923A285G18	1.0	0.15B-0.5	T200	8.06	6.13	15.0	62	

5 - 25 kV INDOOR CURRENT TRANSFORMERS

TYPE KIT

1VAP429151-DB

60, 75, 110, & 150 kV BIL

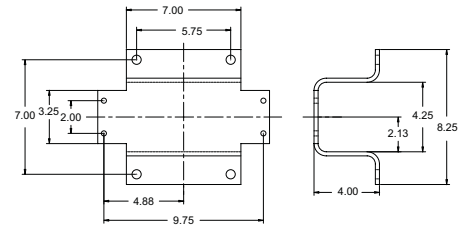
Indoor

60 Hertz

Tube Type



Mounting Base Dimensions (in.)



Mechanical Rating:

All units effectively unlimited

Thermal Rating:

800 and 1200 Amps: 80 x normal, 1 second

1500 Amps and above: 100 x normal, 1 second

	Primary Amps	Style Number	Rating Factor	IEEE Metering Accuracy	Relay Accuracy	Height (in.)	Width (in.)	Length (in.)	Weight (lb.)
KIT-60 Tube Type	800	7524A42G01	3.0	0.3B-0.9	C100	15.37	10.50	10.25	42
	1200	7524A42G02	2.0	0.3B-1.8	C200	15.37	10.50	10.25	42
	1500	7524A42G03	2.0	0.3B-1.8	C200	15.37	10.50	10.25	42
	2000	7524A42G04	2.0	0.3B-1.8	C200	15.37	10.50	10.25	42
	2500	7524A42G11	1.5	0.3B-1.8	C200	15.37	10.50	10.25	42
	3000	7524A42G05	1.5	0.3B-1.8	C200	15.37	10.50	10.25	42
	4000	7524A42G06	1.5	0.3B-1.8	C200	15.37	10.50	10.25	42
	600/1200	7524A42G07	2.0	0.3B-1.8 0.3B-1.8	C100/C200	15.37	10.50	10.25	42
	1000/2000	7524A42G08	2.0	0.3B-0.9 0.3B-1.8	C100/C200	15.37	10.50	10.25	42
	1500/3000	7524A42G10	1.33	0.3B-1.8 0.3B-1.8	C100/C200	15.37	10.50	10.25	42
2000/4000	7524A42G09	1.5	0.3B-1.8 0.3B-1.8	C100/C200	15.37	10.50	10.25	42	
KIT-75 Tube Type	800	7524A43G01	3.0	0.3B-0.9	C100	15.37	10.50	13.25	44
	1200	7524A43G02	2.0	0.3B-1.8	C200	15.37	10.50	13.25	44
	1500	7524A43G03	2.0	0.3B-1.8	C200	15.37	10.50	13.25	44
	2000	7524A43G04	2.0	0.3B-1.8	C200	15.37	10.50	13.25	44
	3000	7524A43G05	1.5	0.3B-1.8	C200	15.37	10.50	13.25	44
	4000	7524A43G06	1.5	0.3B-1.8	C200	15.37	10.50	13.25	44
	600/1200	7524A43G07	2.0	0.3B-1.8 0.3B-1.8	C100/C200	15.37	10.50	13.25	44
	1000/2000	7524A43G08	2.0	0.3B-0.9 0.3B-1.8	C100/C200	15.37	10.50	13.25	44
	2000/4000	7524A43G09	1.5	0.3B-1.8 0.3B-1.8	C100/C200	15.37	10.50	13.25	44
	KIT-11 Tube Type	800	7524A44G01	3.0	0.3B-0.9	C100	15.37	10.50	17.75
1200		7524A44G02	2.0	0.3B-1.8	C200	15.37	10.50	17.75	48
1500		7524A44G03	2.0	0.3B-1.8	C200	15.37	10.50	17.75	48
2000		7524A44G04	2.0	0.3B-1.8	C200	15.37	10.50	17.75	48
3000		7524A44G05	1.5	0.3B-1.8	C200	15.37	10.50	17.75	48
4000		7524A44G06	1.5	0.3B-1.8	C200	15.37	10.50	17.75	48
600/1200		7524A44G07	2.0	0.3B-1.8 0.3B-1.8	C100/C200	15.37	10.50	17.75	48
1000/2000		7524A44G08	2.0	0.3B-0.9 0.3B-1.8	C100/C200	15.37	10.50	17.75	48
2000/4000		7524A44G09	1.5	0.3B-1.8 0.3B-1.8	C100/C200	15.37	10.50	17.75	48
KIT-15 Tube Type		800	7524A45G01	3.0	0.3B-0.9	C100	15.37	10.50	26.75
	1200	7524A45G02	2.0	0.3B-1.8	C200	15.37	10.50	26.75	50
	1500	7524A45G03	2.0	0.3B-1.8	C200	15.37	10.50	26.75	50
	2000	7524A45G04	2.0	0.3B-1.8	C200	15.37	10.50	26.75	50
	3000	7524A45G05	1.5	0.3B-1.8	C200	15.37	10.50	26.75	50
	4000	7524A45G06	1.5	0.3B-1.8	C200	15.37	10.50	26.75	50
	600/1200	7524A45G07	2.0	0.3B-1.8 0.3B-1.8	C100/C200	15.37	10.50	26.75	50
	1000/2000	7524A45G08	2.0	0.3B-0.9 0.3B-1.8	C100/C200	15.37	10.50	26.75	50
	2000/4000	7524A45G09	1.5	0.3B-1.8 0.3B-1.8	C100/C200	15.37	10.50	26.75	50

5 - 25 kV INDOOR CURRENT TRANSFORMERS

TYPE KIT

1VAP429151-DB

60, 75, 110, & 150 kV BIL

Indoor
60 Hertz

Bar Type



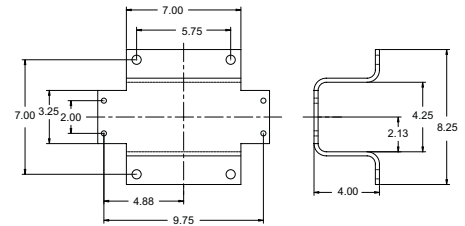
Mechanical Rating:

All units effectively unlimited

Thermal Rating:

800 and 1200 Amps: 80 x normal, 1 second
1500 Amps and above: 100 x normal, 1 second

Mounting Base Dimensions (in.)



	Primary Amps	Style Number	Rating Factor	IEEE Metering Accuracy	Relay Accuracy	Height (in.)	Width (in.)	Length (in.)	Weight (lb.)
KIT-60 Bar Type	400	923A272G13	4.0	0.3B-0.5	-	15.38	10.50	19.62	66
	800	923A272G01	2.0	0.3B-0.9	C100	15.38	10.50	19.62	66
	1000	923A272G10	2.0	0.3B-0.9	C100	15.38	10.50	19.62	66
	1200	923A272G02	2.0	0.3B-1.8	C200	15.38	10.50	19.62	66
	1500	923A272G03	2.0	0.3B-1.8	C200	15.38	10.50	19.62	66
	2000	923A272G04	1.5	0.3B-1.8	C200	15.38	10.50	19.62	66
	3000	923A272G05	1.33	0.3B-1.8	C200	15.38	10.50	19.62	66
	4000	923A272G06	1.0	0.3B-1.8	C200	15.38	10.50	19.62	66
	600/1200	923A272G07	2.0	0.3B-0.5 0.3B-1.8	C100/C200	15.38	10.50	19.62	66
	1000/2000	923A272G08	1.5	0.3B-0.9 0.3B-1.8	C100/C200	15.38	10.50	19.62	66
2000/4000	923A272G09	1.0	0.3B-1.8 0.3B-1.8	C200/C200	15.38	10.50	19.62	66	
KIT-75 Bar Type	800	923A274G01	2.0	0.3B-0.9	C100	15.38	10.50	22.62	70
	1000	923A274G10	2.0	0.3B-0.9	C100	15.38	10.50	22.62	70
	1200	923A274G02	2.0	0.3B-1.8	C200	15.38	10.50	22.62	70
	1500	923A274G03	2.0	0.3B-1.8	C200	15.38	10.50	22.62	70
	2000	923A274G04	1.5	0.3B-1.8	C200	15.38	10.50	22.62	70
	3000	923A274G05	1.33	0.3B-1.8	C200	15.38	10.50	22.62	70
	4000	923A274G06	1.0	0.3B-1.8	C200	15.38	10.50	22.62	70
	600/1200	923A274G07	2.0	0.3B-0.5 0.3B-1.8	C100/C200	15.38	10.50	22.62	70
	1000/2000	923A274G08	1.5	0.3B-0.9 0.3B-1.8	C100/C200	15.38	10.50	22.62	70
	2000/4000	923A274G09	1.0	0.3B-1.8 0.3B-1.8	C200/C200	15.38	10.50	22.62	70
KIT-11 Bar Type	800	923A277G01	2.0	0.3B-0.9	C100	15.38	10.50	27.12	78
	1000	923A277G10	2.0	0.3B-1.8	C200	15.38	10.50	27.12	78
	1200	923A277G02	2.0	0.3B-1.8	C200	15.38	10.50	27.12	78
	1500	923A277G03	2.0	0.3B-1.8	C200	15.38	10.50	27.12	78
	2000	923A277G12	2.0	0.3B-1.8	C400	15.38	10.50	27.12	78
	2000	923A277G04	1.5	0.3B-1.8	C200	15.38	10.50	27.12	78
	3000	923A277G05	1.33	0.3B-1.8	C200	15.38	10.50	27.12	78
	4000	923A277G06	1.0	0.3B-1.8	C200	15.38	10.50	27.12	78
	600/1200	923A277G07	2.0	0.3B-0.5 0.3B-1.8	C100/C200	15.38	10.50	27.12	78
	1000/2000	923A277G08	1.5	0.3B-0.9 0.3B-1.8	C100/C200	15.38	10.50	27.12	78
2000/4000	923A277G14	1.33	0.3B-1.8 0.3B-1.8	C200/C200	15.38	10.50	27.12	78	
KIT-15 Bar Type	800	923A279G01	2.0	0.3B-0.9	C100	15.38	10.50	36.12	89
	1200	923A279G02	2.0	0.3B-1.8	C200	15.38	10.50	36.12	89
	1500	923A279G03	2.0	0.3B-1.8	C200	15.38	10.50	36.12	89
	2000	923A279G04	1.5	0.3B-1.8	C200	15.38	10.50	36.12	89
	3000	923A279G05	1.33	0.3B-1.8	C200	15.38	10.50	36.12	89
	4000	923A279G06	1.0	0.3B-1.8	C200	15.38	10.50	36.12	89
	600/1200	923A279G07	2.0	0.3B-0.5 0.3B-1.8	C100/C200	15.38	10.50	36.12	89
	1000/2000	923A279G08	1.5	0.3B-0.9 0.3B-1.8	C100/C200	15.38	10.50	36.12	89
	2000/4000	923A279G09	1.0	0.3B-1.8 0.3B-1.8	C200/C200	15.38	10.50	36.12	89

5 - 25 kV OUTDOOR CURRENT TRANSFORMERS

TYPE KOT

PB 42-930

60, 75, 110, & 150 kV BIL

Outdoor
50/60 Hertz *

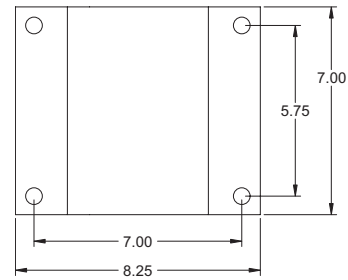
Tube Type

Mechanical Rating:
All units effectively unlimited

Thermal Rating:
800 and 1200 Amps:
80 x normal, 1 second
1500 Amps and above:
100 x normal, 1 second



Mounting Base Dimensions (in.)



	Primary Amps	Style Number	Rating Factor	IEEE Metering Accuracy	Relay Accuracy *	Height (in.)	Width (in.)	Length (in.)	Weight (lb.)
KOT-60 Tube Type NSV 5.0 kV 60 kV BIL	800	7524A32G01	2.0	0.3B-0.9	C100	17.25	10.50	10.25	40
	1200	7524A32G02	2.0	0.3B-1.8	C200	17.25	10.50	10.25	40
	1500	7524A32G03	2.0	0.3B-1.8	C200	17.25	10.50	10.25	40
	2000	7524A32G04	2.0	0.3B-1.8	C200	17.25	10.50	10.25	40
	3000	7524A32G05	1.5	0.3B-1.8	C200	17.25	10.50	10.25	40
	4000	7524A32G06	1.5	0.3B-1.8	C200	17.25	10.50	10.25	40
	600/1200	7524A32G07	3.0/2.0	0.3B-0.5 0.3B-1.8	Tap Full C100/C200	17.25	10.50	10.25	40
	1000/2000	7524A32G08	3.0/2.0	0.3B-0.9 0.3B-1.8	Tap Full C100/C200	17.25	10.50	10.25	40
	2000/4000	7524A32G09	2.0/1.5	0.3B-1.8 0.3B-1.8	Tap Full C100/C200	17.25	10.50	10.25	40
KOT-75 Tube Type NSV 8.7 kV 75 kV BIL	800	7524A33G01	2.0	0.3B-0.9	C100	17.25	10.50	13.25	43
	1200	7524A33G02	2.0	0.3B-1.8	C200	17.25	10.50	13.25	43
	1500	7524A33G03	2.0	0.3B-1.8	C200	17.25	10.50	13.25	43
	2000	7524A33G04	2.0	0.3B-1.8	C200	17.25	10.50	13.25	43
	3000	7524A33G05	1.5	0.3B-1.8	C200	17.25	10.50	13.25	43
	4000	7524A33G06	1.5	0.3B-1.8	C200	17.25	10.50	13.25	43
	600/1200	7524A33G07	3.0/2.0	0.3B-0.5 0.3B-1.8	Tap Full C100/C200	17.25	10.50	13.25	43
	1000/2000	7524A33G08	3.0/2.0	0.3B-0.9 0.3B-1.8	Tap Full C100/C200	17.25	10.50	13.25	43
	2000/4000	7524A33G09	2.0/1.5	0.3B-1.8 0.3B-1.8	Tap Full C100/C200	17.25	10.50	13.25	43
KOT-11 Tube Type NSV 15 kV 110 kV BIL	800	7524A34G01	2.0	0.3B-0.9	C100	17.25	10.50	17.75	47
	1200	7524A34G02	2.0	0.3B-1.8	C200	17.25	10.50	17.75	47
	1500	7524A34G03	2.0	0.3B-1.8	C200	17.25	10.50	17.75	47
	2000	7524A34G04	2.0	0.3B-1.8	C200	17.25	10.50	17.75	47
	3000	7524A34G05	1.5	0.3B-1.8	C200	17.25	10.50	17.75	47
	4000	7524A34G06	1.5	0.3B-1.8	C200	17.25	10.50	17.75	47
	600/1200	7524A34G07	3.0/2.0	0.3B-0.5 0.3B-1.8	Tap Full C100/C200	17.25	10.50	17.75	47
	1000/2000	7524A34G08	3.0/2.0	0.3B-0.9 0.3B-1.8	Tap Full C100/C200	17.25	10.50	17.75	47
	2000/4000	7524A34G09	2.0/1.5	0.3B-1.8 0.3B-1.8	Tap Full C100/C200	17.25	10.50	17.75	47
KOT-15 Tube Type NSV 25 kV 150 kV BIL	800	7524A35G01	2.0	0.3B-0.9	C100	17.25	10.50	26.75	52
	1200	7524A35G02	2.0	0.3B-1.8	C200	17.25	10.50	26.75	52
	1500	7524A35G03	2.0	0.3B-1.8	C200	17.25	10.50	26.75	52
	2000	7524A35G04	2.0	0.3B-1.8	C200	17.25	10.50	26.75	52
	3000	7524A35G05	1.5	0.3B-1.8	C200	17.25	10.50	26.75	52
	4000	7524A35G06	1.5	0.3B-1.8	C200	17.25	10.50	26.75	52
	600/1200	7524A35G07	3.0/2.0	0.3B-0.5 0.3B-1.8	Tap Full C100/C200	17.25	10.50	26.75	52
	1000/2000	7524A35G08	3.0/2.0	0.3B-0.9 0.3B-1.8	Tap Full C100/C200	17.25	10.50	26.75	52
	2000/4000	7524A35G09	2.0/1.5	0.3B-1.8 0.3B-1.8	Tap Full C100/C200	17.25	10.50	26.75	52

* Accuracy 20% less at 50 Hertz.

5 - 25 kV OUTDOOR CURRENT TRANSFORMERS

TYPE KOT

PB 42-930

60, 75, 110, & 150 kV BIL

Outdoor
50/60 Hertz *

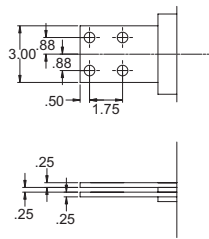
Bar Type

Mechanical Rating:
All units effectively unlimited

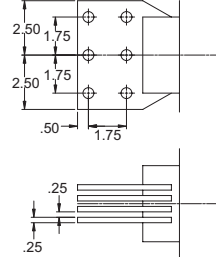
Thermal Rating:
800 and 1200 Amps:
80 x normal, 1 second
1500 Amps and above:
100 x normal, 1 second



Primary Terminals
2000 Amperes and Below



Primary Terminals
Above 2000 Amperes



	Primary Amps	Style Number	Rating Factor	IEEE Metering Accuracy	Relay Accuracy *	Height (in.)	Width (in.)	Length (in.)	Weight (lb.)
KOT-60 Bar Type NSV 5.0 kV 60 kV BIL	800	923A271G01	2.0	0.3B-0.9	C100	17.25	10.50	19.62	62
	1200	923A271G02	2.0	0.3B-1.8	C200	17.25	10.50	19.62	62
	1500	923A271G03	2.0	0.3B-1.8	C200	17.25	10.50	19.62	62
	2000	923A271G04	1.5	0.3B-1.8	C200	17.25	10.50	19.62	62
	3000	923A271G05	1.33	0.3B-1.8	C200	17.25	10.50	19.62	73
	4000	923A271G06	1.0	0.3B-1.8	C200	17.25	10.50	19.62	73
	600/1200	923A271G07	3.0/2.0	0.3B-0.5 0.3B-1.8	Tap Full C100/C200	17.25	10.50	19.62	62
	1000/2000	923A271G08	2.0/1.5	0.3B-0.9 0.3B-1.8	Tap Full C100/C200	17.25	10.50	19.62	62
	2000/4000	923A271G09	1.5/1.0	0.3B-1.8 0.3B-1.8	Tap Full C100/C200	17.25	10.50	19.62	73
KOT-75 Bar Type NSV 8.7 kV 75 kV BIL	800	923A273G01	2.0	0.3B-0.9	C100	17.25	10.50	22.62	67
	1200	923A273G02	2.0	0.3B-1.8	C200	17.25	10.50	22.62	67
	1500	923A273G03	2.0	0.3B-1.8	C200	17.25	10.50	22.62	67
	2000	923A273G04	1.5	0.3B-1.8	C200	17.25	10.50	22.62	67
	3000	923A273G05	1.33	0.3B-1.8	C200	17.25	10.50	22.62	79
	4000	923A273G06	1.0	0.3B-1.8	C200	17.25	10.50	22.62	79
	600/1200	923A273G07	3.0/2.0	0.3B-0.5 0.3B-1.8	Tap Full C100/C200	17.25	10.50	22.62	67
	1000/2000	923A273G08	2.0/1.5	0.3B-0.9 0.3B-1.8	Tap Full C100/C200	17.25	10.50	22.62	67
	2000/4000	923A273G09	1.5/1.0	0.3B-1.8 0.3B-1.8	Tap Full C100/C200	17.25	10.50	22.62	79
KOT-11 Bar Type NSV 15 kV 110 kV BIL	800	923A275G01	2.0	0.3B-0.9	C100	17.25	10.50	27.12	75
	1200	923A273G02	2.0	0.3B-1.8	C200	17.25	10.50	27.12	75
	1500	923A273G03	2.0	0.3B-1.8	C200	17.25	10.50	27.12	75
	2000	923A273G04	1.5	0.3B-1.8	C200	17.25	10.50	27.12	75
	3000	923A273G05	1.33	0.3B-1.8	C200	17.25	10.50	27.12	89
	4000	923A273G06	1.0	0.3B-1.8	C200	17.25	10.50	27.12	89
	600/1200	923A273G07	3.0/2.0	0.3B-0.5 0.3B-1.8	Tap Full C100/C200	17.25	10.50	27.12	75
	1000/2000	923A273G08	2.0/1.5	0.3B-0.9 0.3B-1.8	Tap Full C100/C200	17.25	10.50	27.12	75
	2000/4000	923A273G09	1.5/1.0	0.3B-1.8 0.3B-1.8	Tap Full C100/C200	17.25	10.50	27.12	89
KOT-15 Bar Type NSV 25 kV 150 kV BIL	800	923A270G01	2.0	0.3B-0.9	C100	17.25	10.50	36.12	90
	1200	923A270G02	2.0	0.3B-1.8	C200	17.25	10.50	26.75	90
	1500	923A270G03	2.0	0.3B-1.8	C200	17.25	10.50	26.75	90
	2000	923A270G04	1.5	0.3B-1.8	C200	17.25	10.50	26.75	90
	3000	923A270G05	1.33	0.3B-1.8	C200	17.25	10.50	26.75	107
	4000	923A270G06	1.0	0.3B-1.8	C200	17.25	10.50	26.75	107
	600/1200	923A270G07	3.0/2.0	0.3B-0.5 0.3B-1.8	Tap Full C100/C200	17.25	10.50	26.75	90
	1000/2000	923A270G08	2.0/1.5	0.3B-0.9 0.3B-1.8	Tap Full C100/C200	17.25	10.50	26.75	90
	2000/4000	923A270G09	1.5/1.0	0.3B-1.8 0.3B-1.8	Tap Full C100/C200	17.25	10.50	26.75	107

* Accuracy 20% less at 50 Hertz.

15 - 36 kV OUTDOOR CURRENT TRANSFORMERS

TYPE KOTD-110

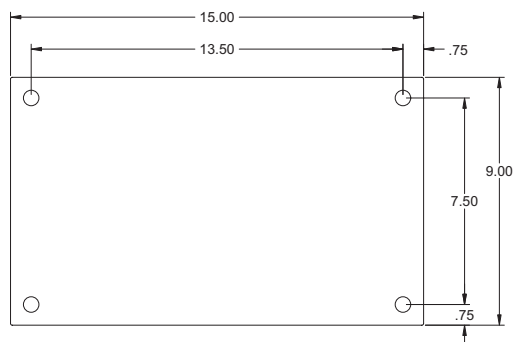
PB 42-940

110 kV BIL
Single, Dual, & Multi Ratio
Outdoor
50/60 Hertz

Tube Type
5" ID



Mounting Base Dimensions (in.)



	Primary Amps	Style Number	Rating Factor	IEEE Metering Accuracy	Relay Accuracy	Height (in.)	Width (in.)	Length (in.)	Weight (lb.)
KOTD-110 Tube Type NSV 15 kV 110 kV BIL Single Ratio	400	923A141G01	2.0	0.3B-0.5	C200	20	14.7	17	225
	600	923A141G02	2.0	0.3B-0.9	C200	20	14.7	17	225
	800	923A141G03	2.0	0.3B-1.8	C400	20	14.7	17	225
	1000	923A141G04	2.0	0.3B-1.8	C400	20	14.7	17	225
	1200	923A141G05	2.0	0.3B-1.8	C400	20	14.7	17	225
	1600	923A141G06	2.0	0.3B-1.8	C400	20	14.7	17	225
	2000	923A141G07	2.0	0.3B-1.8	C800	20	14.7	17	225
	3000	923A141G08	1.5	0.3B-1.8	C800	20	14.7	17	225
	4000	923A141G09	1.25	0.3B-1.8	C800	20	14.7	17	225
	5000	923A141G10	1.0	0.3B-1.8	C800	20	14.7	17	225
KOTD-110 Tube Type NSV 15 kV 110 kV BIL Dual Ratio	200/400	923A142G01	2.0/2.0	0.6B-0.2 0.3B-0.5	C100/C200	20	14.7	17	240
	300/600	923A142G02	2.0/2.0	0.3B-0.2 0.3B-0.9	C100/C200	20	14.7	17	240
	400/800	923A142G03	2.0/2.0	0.3B-0.5 0.3B-1.8	C200/C400	20	14.7	17	240
	500/1000	923A142G04	2.0/2.0	0.3B-0.5 0.3B-1.8	C200/C400	20	14.7	17	240
	600/1200	923A142G05	2.0/2.0	0.3B-0.9 0.3B-1.8	C200/C400	20	14.7	17	240
	800/1600	923A142G06	2.0/2.0	0.3B-0.9 0.3B-1.8	C200/C400	20	14.7	17	240
	1000/2000	923A142G07	2.0/2.0	0.3B-1.8 0.3B-1.8	C400/C800	20	14.7	17	240
	1500/3000	923A142G08	2.0/1.5	0.3B-1.8 0.3B-1.8	C400/C800	20	14.7	17	240
	2000/4000	923A142G09	2.0/1.25	0.3B-1.8 0.3B-1.8	C400/C800	20	14.7	17	240
	2500/5000	923A142G10	2.0/1.0	0.3B-1.8 0.3B-1.8	C400/C800	20	14.7	17	240
KOTD-110 Tube Type NSV 15 kV 110 kV BIL Multi Ratio	600	923A143G01	2.0	0.3B-0.9	C200	20	14.7	17	225
	1200	923A143G02	1.5	0.3B-1.8	C400	20	14.7	17	225
	2000	923A143G03	1.0	0.3B-1.8	C800	20	14.7	17	225
	3000	923A143G04	1.33	0.3B-1.8	C800	20	14.7	17	225
	4000	923A143G05	1.0	0.3B-1.8	C800	20	14.7	17	225
	5000	923A143G06	1.0	0.3B-1.8	C800	20	14.7	17	225

15 - 36 kV OUTDOOR CURRENT TRANSFORMERS

TYPE KOTD-150

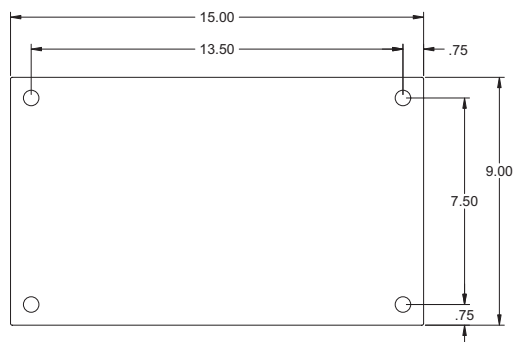
PB 42-940

150 kV BIL
Single, Dual, & Multi Ratio
Outdoor
50/60 Hertz

Tube Type
5" ID



Mounting Base Dimensions (in.)



	Primary Amps	Style Number	Rating Factor	IEEE Metering Accuracy	Relay Accuracy	Height (in.)	Width (in.)	Length (in.)	Weight (lb.)
KOTD-150 Tube Type NSV 25 kV 150 kV BIL Single Ratio	400	923A155G01	2.0	0.3B-0.5	C200	22.5	14.7	17	245
	600	923A155G02	2.0	0.3B-0.9	C200	22.5	14.7	17	245
	800	923A155G03	2.0	0.3B-1.8	C400	22.5	14.7	17	245
	1000	923A155G04	2.0	0.3B-1.8	C400	22.5	14.7	17	245
	1200	923A155G05	2.0	0.3B-1.8	C400	22.5	14.7	17	245
	1600	923A155G06	2.0	0.3B-1.8	C400	22.5	14.7	17	245
	2000	923A155G07	2.0	0.3B-1.8	C800	22.5	14.7	17	245
	3000	923A155G08	1.5	0.3B-1.8	C800	22.5	14.7	17	245
	4000	923A155G09	1.25	0.3B-1.8	C800	22.5	14.7	17	245
	5000	923A155G10	1.0	0.3B-1.8	C800	22.5	14.7	17	245
KOTD-150 Tube Type NSV 25 kV 150 kV BIL Dual Ratio	200/400	923A156G01	2.0/2.0	0.6B-0.2 0.3B-0.5	C100/C200	22.5	14.7	17	245
	300/600	923A156G02	2.0/2.0	0.3B-0.2 0.3B-0.9	C100/C200	22.5	14.7	17	245
	400/800	923A156G03	2.0/2.0	0.3B-0.5 0.3B-1.8	C200/C400	22.5	14.7	17	245
	500/1000	923A156G04	2.0/2.0	0.3B-0.5 0.3B-1.8	C200/C400	22.5	14.7	17	245
	600/1200	923A156G05	2.0/2.0	0.3B-0.9 0.3B-1.8	C200/C400	22.5	14.7	17	245
	800/1600	923A156G06	2.0/2.0	0.3B-0.9 0.3B-1.8	C200/C400	22.5	14.7	17	245
	1000/2000	923A156G07	2.0/2.0	0.3B-1.8 0.3B-1.8	C400/C800	22.5	14.7	17	245
	1500/3000	923A156G08	2.0/1.5	0.3B-1.8 0.3B-1.8	C400/C800	22.5	14.7	17	245
	2000/4000	923A156G09	2.0/1.25	0.3B-1.8 0.3B-1.8	C400/C800	22.5	14.7	17	245
	2500/5000	923A156G10	2.0/1.0	0.3B-1.8 0.3B-1.8	C400/C800	22.5	14.7	17	245
KOTD-150 Tube Type NSV 25 kV 150 kV BIL Multi Ratio	600	923A157G01	2.0	0.3B-0.9	C200	22.5	14.7	17	245
	1200	923A157G02	2.0	0.3B-1.8	C400	22.5	14.7	17	245
	2000	923A157G03	1.0	0.3B-1.8	C800	22.5	14.7	17	245
	3000	923A157G04	1.33	0.3B-1.8	C800	22.5	14.7	17	245
	4000	923A157G05	1.0	0.3B-1.8	C800	22.5	14.7	17	245
	5000	923A157G06	1.0	0.3B-1.8	C800	22.5	14.7	17	245

15 - 36 kV OUTDOOR CURRENT TRANSFORMERS

TYPE KOTD-200

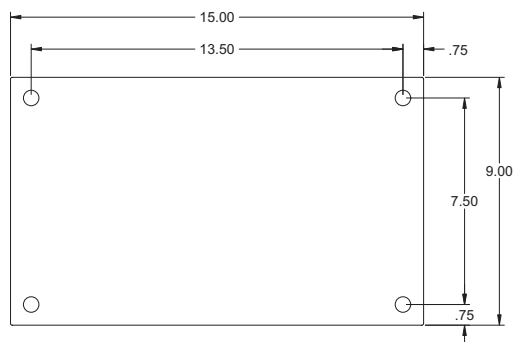
PB 42-940

200 kV BIL
Single, Dual, & Multi Ratio
Outdoor
50/60 Hertz

Tube Type
5" ID



Mounting Base Dimensions (in.)



	Primary Amps	Style Number	Rating Factor	IEEE Metering Accuracy	Relay Accuracy	Height (in.)	Width (in.)	Length (in.)	Weight (lb.)
KOTD-200 Tube Type NSV 36 kV 200 kV BIL Single Ratio	400	923A203G01	2.0	0.3B-0.5	C200	25	14.7	17	260
	600	923A203G02	2.0	0.3B-0.9	C200	25	14.7	17	260
	800	923A203G03	2.0	0.3B-1.8	C400	25	14.7	17	260
	1000	923A203G04	2.0	0.3B-1.8	C400	25	14.7	17	260
	1200	923A203G05	1.5	0.3B-1.8	C400	25	14.7	17	260
	1600	923A203G06	1.25	0.3B-1.8	C400	25	14.7	17	260
	2000	923A203G07	1.0	0.3B-1.8	C800	25	14.7	17	260
	3000	923A203G08	1.33	0.3B-1.8	C800	25	14.7	17	260
	4000	923A203G09	1.0	0.3B-1.8	C800	25	14.7	17	260
	5000	923A203G10	1.0	0.3B-1.8	C800	20	14.7	17	260
KOTD-200 Tube Type NSV 36 kV 200 kV BIL Dual Ratio	200/400	923A170G01	2.0/2.0	0.6B-0.2 0.3B-0.5	C100/C200	25	14.7	17	260
	300/600	923A170G02	2.0/2.0	0.3B-0.2 0.3B-0.9	C100/C200	25	14.7	17	260
	400/800	923A170G03	2.0/2.0	0.3B-0.5 0.3B-1.8	C200/C400	25	14.7	17	260
	500/1000	923A170G04	2.0/2.0	0.3B-0.5 0.3B-1.8	C200/C400	25	14.7	17	260
	600/1200	923A170G05	2.0/2.0	0.3B-0.9 0.3B-1.8	C200/C400	25	14.7	17	260
	800/1600	923A170G06	2.0/2.0	0.3B-0.9 0.3B-1.8	C200/C400	25	14.7	17	260
	1000/2000	923A170G07	2.0/2.0	0.3B-1.8 0.3B-1.8	C400/C800	25	14.7	17	260
	1500/3000	923A170G08	2.0/1.5	0.3B-1.8 0.3B-1.8	C400/C800	25	14.7	17	260
	2000/4000	923A170G09	2.0/1.25	0.3B-1.8 0.3B-1.8	C400/C800	25	14.7	17	260
	2500/5000	923A170G10	2.0/1.0	0.3B-1.8 0.3B-1.8	C400/C800	25	14.7	17	260
KOTD-200 Tube Type NSV 36 kV 200 kV BIL Multi Ratio	600	923A171G01	2.0	0.3B-0.9	C200	25	15.3	17	260
	1200	923A171G02	2.0	0.3B-1.8	C400	25	15.3	17	260
	2000	923A171G03	1.0	0.3B-1.8	C800	25	15.3	17	260
	3000	923A171G04	1.33	0.3B-1.8	C800	25	15.3	17	260
	4000	923A171G05	1.0	0.3B-1.8	C800	25	15.3	17	260
	5000	923A171G06	1.0	0.3B-1.8	C800	25	15.3	17	260

15 - 36 kV OUTDOOR CURRENT TRANSFORMERS

TYPE KOTD-110

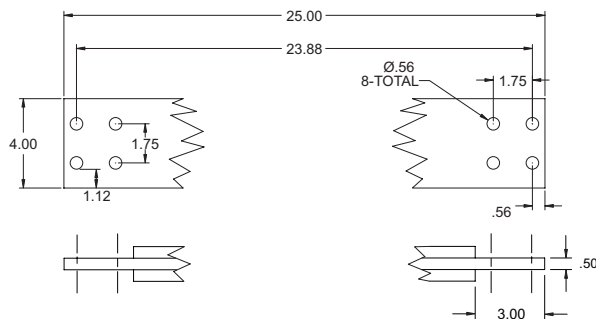
PB 42-940

110 kV BIL
Single, Dual, & Multi Ratio
Outdoor
50/60 Hertz

Bar Type
5" ID



Bar Dimensions (in.)



Note: Base dimensions same as tube type KOTD

	Primary Amps	Style Number	Number of Bars	Rating Factor	IEEE Metering Accuracy	Relay Accuracy	Height (in.)	Width (in.)	Length (in.)	Weight (lb.)
KOTD-110 Bar Type NSV 15 kV 110 kV BIL Single Ratio	400	923A206G01	1	2.0	0.3B-0.5	C200	20	14.7	25	240
	600	923A206G02	1	2.0	0.3B-0.9	C200	20	14.7	25	240
	800	923A206G03	1	2.0	0.3B-1.8	C400	20	14.7	25	240
	1000	923A206G04	1	2.0	0.3B-1.8	C400	20	14.7	25	240
	1200	923A206G05	1	1.5	0.3B-1.8	C400	20	14.7	25	240
	1600	923A206G06	1	1.25	0.3B-1.8	C400	20	14.7	25	240
	2000	923A206G07	1	1.0	0.3B-1.8	C800	20	14.7	25	240
	3000	923A206G08	2	1.33	0.3B-1.8	C800	20	14.7	25	240
	4000	923A206G09	2	1.0	0.3B-1.8	C800	20	14.7	25	240
	5000	923A206G10	3	1.0	0.3B-1.8	C800	20	14.7	25	240
KOTD-110 Bar Type NSV 15 kV 110 kV BIL Dual Ratio	200/400	923A148G01	1	2.0/2.0	0.6B-0.2 0.3B-0.5	C100/C200	20	14.7	25	240
	300/600	923A148G02	1	2.0/2.0	0.3B-0.2 0.3B-0.9	C100/C200	20	14.7	25	240
	400/800	923A148G03	1	2.0/2.0	0.3B-0.5 0.3B-1.8	C200/C400	20	14.7	25	240
	500/1000	923A148G04	1	2.0/2.0	0.3B-0.5 0.3B-1.8	C200/C400	20	14.7	25	240
	600/1200	923A148G05	1	2.0/1.5	0.3B-0.9 0.3B-1.8	C200/C400	20	14.7	25	240
	800/1600	923A148G06	1	2.0/1.25	0.3B-0.9 0.3B-1.8	C200/C400	20	14.7	25	240
	1000/2000	923A148G07	1	2.0/1.0	0.3B-1.8 0.3B-1.8	C400/C800	20	14.7	25	240
	1500/3000	923A148G08	2	2.0/1.33	0.3B-1.8 0.3B-1.8	C400/C800	20	14.7	25	240
	2000/4000	923A148G09	2	2.0/1.0	0.3B-1.8 0.3B-1.8	C400/C800	20	14.7	25	240
	2500/5000	923A148G10	3	2.0/1.0	0.3B-1.8 0.3B-1.8	C400/C800	20	14.7	25	240
KOTD-110 Bar Type NSV 15 kV 110 kV BIL Multi Ratio	600	923A149G01	1	2.0	0.3B-0.9	C200	20	15.3	25	240
	1200	923A149G02	1	1.5	0.3B-1.8	C400	20	15.3	25	240
	2000	923A149G03	1	1.0	0.3B-1.8	C800	20	15.3	25	240
	3000	923A149G04	2	1.33	0.3B-1.8	C800	20	15.3	25	240
	4000	923A149G05	2	1.0	0.3B-1.8	C800	20	15.3	25	240
	5000	923A149G06	3	1.0	0.3B-1.8	C800	20	15.3	25	240

15 - 36 kV OUTDOOR CURRENT TRANSFORMERS

TYPE KOTD-150

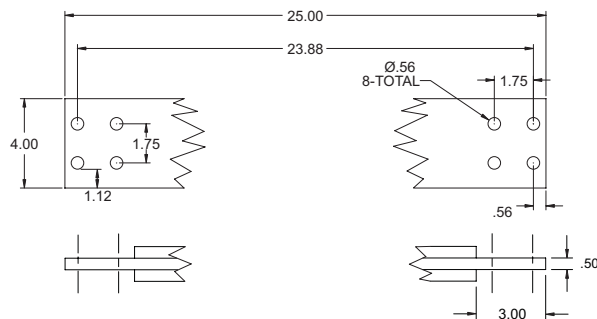
PB 42-940

150 kV BIL
Single, Dual, & Multi Ratio
Outdoor
50/60 Hertz

Bar Type
5" ID



Bar Dimensions (in.)



Note: Base dimensions same as tube type KOTD

	Primary Amps	Style Number	Number of Bars	Rating Factor	IEEE Metering Accuracy	Relay Accuracy	Height (in.)	Width (in.)	Length (in.)	Weight (lb.)
KOTD-150 Bar Type NSV 25 kV 150 kV BIL Single Ratio	600	923A161G01	1	2.0	0.3B-0.9	C200	22.5	14.7	25	260
	1200	923A161G02	1	1.5	0.3B-1.8	C400	22.5	14.7	25	260
	2000	923A161G03	1	1.0	0.3B-1.8	C800	22.5	14.7	25	260
	3000	923A161G04	2	1.33	0.3B-1.8	C800	22.5	14.7	25	260
	4000	923A161G05	2	1.0	0.3B-1.8	C800	22.5	14.7	25	260
	5000	923A161G06	3	1.0	0.3B-1.8	C800	22.5	14.7	25	260
	1500	923A161G07	1	2.0	0.3B-1.8	C800	22.5	14.7	25	260
	6000	923A161G08	3	1.0	0.3B-1.8	C800	22.5	14.7	25	260
	600	923A161G09	1	2.0	0.3B-0.9	C800	22.5	14.7	25	260
	3200	923A161G10	2	1.0	0.3B-1.8	C800	22.5	14.7	25	260
KOTD-150 Bar Type NSV 25 kV 150 kV BIL Dual Ratio	200/400	923A162G01	1	2.0/2.0	0.6B-0.2 0.3B-0.5	C100/C200	22.5	14.7	25	260
	300/600	923A162G02	1	2.0/2.0	0.3B-0.2 0.3B-0.9	C100/C200	22.5	14.7	25	260
	400/800	923A162G03	1	2.0/2.0	0.3B-0.5 0.3B-1.8	C200/C400	22.5	14.7	25	260
	500/1000	923A162G04	1	2.0/2.0	0.3B-0.5 0.3B-1.8	C200/C400	22.5	14.7	25	260
	600/1200	923A162G05	1	2.0/1.5	0.3B-0.9 0.3B-1.8	C200/C400	22.5	14.7	25	260
	800/1600	923A162G06	1	2.0/1.25	0.3B-0.9 0.3B-1.8	C200/C400	22.5	14.7	25	260
	1000/2000	923A162G07	1	2.0/1.0	0.3B-1.8 0.3B-1.8	C400/C800	22.5	14.7	25	260
	1500/3000	923A162G08	2	2.0/1.33	0.3B-1.8 0.3B-1.8	C400/C800	22.5	14.7	25	260
	2000/4000	923A162G09	2	2.0/1.0	0.3B-1.8 0.3B-1.8	C400/C800	22.5	14.7	25	260
	2500/5000	923A162G10	3	2.0/1.0	0.3B-1.8 0.3B-1.8	C400/C800	22.5	14.7	25	260
KOTD-150 Bar Type NSV 25 kV 150 kV BIL Multi Ratio	600	923A163G01	1	2.0	0.3B-0.9	C200	22.5	14.7	25	260
	1200	923A163G02	1	1.5	0.3B-1.8	C400	22.5	14.7	25	260
	2000	923A163G03	1	1.0	0.3B-1.8	C800	22.5	14.7	25	260
	3000	923A163G04	2	1.33	0.3B-1.8	C800	22.5	14.7	25	260
	4000	923A163G05	2	1.0	0.3B-1.8	C800	22.5	14.7	25	260
	5000	923A163G06	3	1.0	0.3B-1.8	C800	22.5	14.7	25	260

15 - 36 kV OUTDOOR CURRENT TRANSFORMERS

TYPE KOTD-200

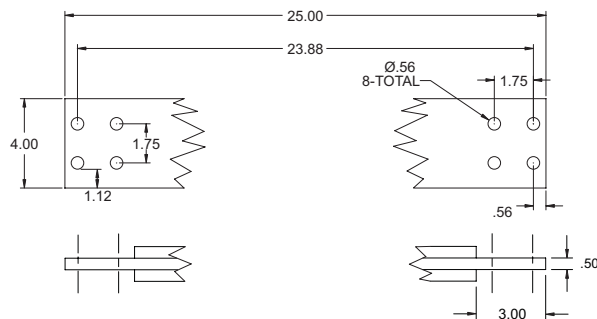
PB 42-940

200 kV BIL
Single, Dual, & Multi Ratio
Outdoor
50/60 Hertz

Bar Type
5" ID



Bar Dimensions (in.)



Note: Base dimensions same as tube type KOTD

	Primary Amps	Style Number	Number of Bars	Rating Factor	IEEE Metering Accuracy	Relay Accuracy	Height (in.)	Width (in.)	Length (in.)	Weight (lb.)
KOTD-200 Bar Type NSV 36 kV 200 kV BIL Single Ratio	400	923A175G01	1	2.0	0.3B-0.5	C200	25	14.7	25	275
	600	923A175G02	1	2.0	0.3B-0.9	C200	25	14.7	25	275
	800	923A175G03	1	2.0	0.3B-1.8	C400	25	14.7	25	275
	1000	923A175G04	1	2.0	0.3B-1.8	C400	25	14.7	25	275
	1200	923A175G05	1	1.5	0.3B-1.8	C400	25	14.7	25	275
	1600	923A175G06	1	1.25	0.3B-1.8	C400	25	14.7	25	275
	2000	923A175G07	1	1.0	0.3B-1.8	C800	25	14.7	25	275
	3000	923A175G08	2	1.33	0.3B-1.8	C800	25	14.7	25	275
	4000	923A175G09	2	1.0	0.3B-1.8	C800	25	14.7	25	275
	5000	923A175G10	3	1.0	0.3B-1.8	C800	25	14.7	25	275
KOTD-200 Bar Type NSV 36 kV 200 kV BIL Dual Ratio	200/400	923A176G01	1	2.0/2.0	0.6B-0.2 0.3B-0.5	C100/C200	25	14.7	25	275
	300/600	923A176G02	1	2.0/2.0	0.3B-0.2 0.3B-0.9	C100/C200	25	14.7	25	275
	400/800	923A176G03	1	2.0/2.0	0.3B-0.5 0.3B-1.8	C200/C400	25	14.7	25	275
	500/1000	923A176G04	1	2.0/2.0	0.3B-0.5 0.3B-1.8	C200/C400	25	14.7	25	275
	600/1200	923A176G05	1	2.0/1.5	0.3B-0.9 0.3B-1.8	C200/C400	25	14.7	25	275
	800/1600	923A176G06	1	2.0/1.25	0.3B-0.9 0.3B-1.8	C200/C400	25	14.7	25	275
	1000/2000	923A176G07	1	2.0/1.0	0.3B-1.8 0.3B-1.8	C400/C800	25	14.7	25	275
	1500/3000	923A176G08	2	2.0/1.33	0.3B-1.8 0.3B-1.8	C400/C800	25	14.7	25	275
	2000/4000	923A176G09	2	2.0/1.0	0.3B-1.8 0.3B-1.8	C400/C800	25	14.7	25	275
	2500/5000	923A176G10	3	2.0/1.0	0.3B-1.8 0.3B-1.8	C400/C800	25	14.7	25	275
KOTD-200 Bar Type NSV 36 kV 200 kV BIL Multi Ratio	600	923A177G01	1	2.0	0.3B-0.9	C200	25	14.7	25	275
	1200	923A177G02	1	1.5	0.3B-1.8	C400	25	14.7	25	275
	2000	923A177G03	1	1.0	0.3B-1.8	C800	25	14.7	25	275
	3000	923A177G04	2	1.33	0.3B-1.8	C800	25	14.7	25	275
	4000	923A177G05	2	1.0	0.3B-1.8	C800	25	14.7	25	275
	5000	923A177G06	3	1.0	0.3B-1.8	C800	25	14.7	25	275

5 kV INDOOR VOLTAGE TRANSFORMERS

TYPE VIY-60

1VAP429511-DB

Indoor
60 kV BIL
60 Hertz

Thermal Rating: ①
1000 VA at 30° C
700 VA at 55° C



UL Recognized Component



Unfused

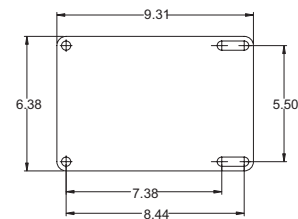


One Fuse



Two Fuses

Mounting Base Dimensions (in.)



Indicating fuses are Type CLE-PT, 1.0E, 5.5 kV, Style number 677C452G06
Non-indicating fuses are Type CLE-PT, 2.0E, 5.5 kV, Style number 9626A33H03

	Primary Voltage	Style Number	Ratio	IEEE Metering Accuracy ①	Height (in.)	Width (in.)	Length (in.)	Weight (lb.)
Unfused	2400/4160Y	7525A50G01	20:1	0.3W, X, M Y	6.90	6.37	9.63	32
	4200/4200Y	7525A50G02	35:1	0.3W, X, M Y	6.90	6.37	9.63	32
	4800/4800Y	7525A50G03	40:1	0.3W, X, M Y	6.90	6.37	9.63	32
2 Fuses	2400/4160Y	7525A51G01	20:1	0.3W, X, M Y	8.25	6.75	10.00	36
	4200/4200Y	7525A51G02	35:1	0.3W, X, M Y	8.25	6.75	10.00	36
	4800/4800Y	7525A51G03	40:1	0.3W, X, M Y	8.25	6.75	10.00	36
1 Fuse ④	2400/4160GY	7525A52G01	20:1	0.3W, X, M Y	8.56	6.37	10.00	34
	4200/4200GY ②	7525A52G02	35:1	0.3W, X, M Y	8.56	6.37	10.00	34
	4800/4800GY ②	7525A52G03	40:1	0.3W, X, M Y	8.56	6.37	10.00	34
Switchgear Style ③	2400/4160Y	7525A54G01	20:1	0.3W, X, M Y	6.90	6.37	9.63	32
	4200/4200Y	7525A54G02	35:1	0.3W, X, M Y	6.90	6.37	9.63	32
	4800/4800Y	7525A54G03	40:1	0.3W, X, M Y	6.90	6.37	9.63	32
Switchgear Style ③ ④	2400/4160GY	7525A55G01	20:1	0.3W, X, M Y	6.90	6.37	9.63	32
	4200/4200GY ②	7525A55G02	35:1	0.3W, X, M Y	6.90	6.37	9.63	32
	4800/4800GY ②	7525A55G03	40:1	0.3W, X, M Y	6.90	6.37	9.63	32
1 Fuse Non-indicating	2400/4160GY ④	9628A11G01	20:1	0.3W, X, M Y	8.51	6.38	9.63	37
	4200/4200GY ④	9628A11G01	35:1	0.3W, X, M Y	8.51	6.38	9.63	37
	4800/4800GY ④	9628A11G01	40:1	0.3W, X, M Y	8.51	6.38	9.63	37
2 Fuses Non-indicating	2400/4160Y	9628A12G01	20:1	0.3W, X, M Y	8.20	6.38	9.63	39
	4200/4200Y	9628A12G02	35:1	0.3W, X, M Y	8.20	6.38	9.63	39
	4800/4800Y	9628A12G03	40:1	0.3W, X, M Y	8.20	6.38	9.63	39

- ① Thermal and Accuracy ratings for at 120 V secondary voltage.
- ② Fluxed for line-to-line voltage; when connected line-to-ground, normal secondary voltage is 69.3 volts.
- ③ Switchgear style is similar to fused style except fuse, fuse clips, and secondary terminal cover are omitted.
- ④ One fully insulated primary terminal for line-to-ground connection only.

8.7 & 15 kV INDOOR VOLTAGE TRANSFORMERS

TYPES VIZ-75 and VIZ-11

1VAP429551-DB



One Fuse

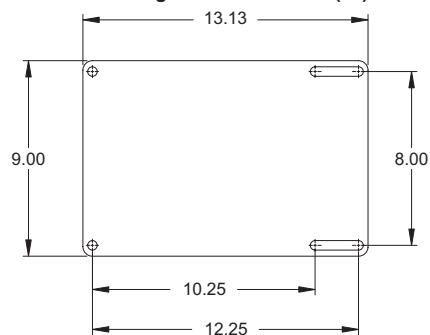
Indoor
75 kV and 110 kV BIL
60 Hertz

Thermal Rating: ①
1500 VA at 30° C
1000 VA at 55° C



Two Fuses

Mounting Base Dimensions (in.)



UL Recognized Component

	Primary Voltage	Style Number	Ratio	IEEE Metering Accuracy ①	Height (in.)	Width (in.)	Length (in.)	Weight (lb.)
VIZ-75 75 kV BIL Unfused	2400/4160Y	7525A66G01	20:1	0.3W, X, M Y, Z	9.00	9.25	13.12	65
	4200/7280Y	7525A66G02	35:1	0.3W, X, M Y, Z	9.00	9.25	13.12	65
	4800/8320Y	7525A66G03	40:1	0.3W, X, M Y, Z	9.00	9.25	13.12	65
	7200/7200Y	7525A66G04	60:1	0.3W, X, M Y, Z	9.00	9.25	13.12	65
VIZ-11 110 kV BIL Unfused	7200/12470Y	7525A66G05	60:1	0.3W, X, M Y, Z	9.00	9.25	13.12	65
	8400/14560Y	7525A66G07	70:1	0.3W, X, M Y, Z	9.00	9.25	13.12	65
	12000/12000Y	7525A66G08	100:1	0.3W, X, M Y, Z	9.00	9.25	13.12	65
	14400/14400Y	7525A66G10	120:1	0.3W, X, M Y, Z	9.00	9.25	13.12	65
VIZ-75 75 kV BIL 2 Fuses	2400/4160Y	7525A67G01	20:1	0.3W, X, M Y, Z	11.25	9.25	15.50	69
	4200/7280Y	7525A67G02	35:1	0.3W, X, M Y, Z	11.25	9.25	15.50	69
	4800/8320Y	7525A67G03	40:1	0.3W, X, M Y, Z	11.25	9.25	15.50	69
	7200/7200Y	7525A67G04	60:1	0.3W, X, M Y, Z	11.25	9.25	15.50	69
VIZ-11 110 kV BIL 2 Fuses	7200/12470Y	7525A67G05	60:1	0.3W, X, M Y, Z	11.25	9.25	15.50	69
	8400/14560Y	7525A67G07	70:1	0.3W, X, M Y, Z	11.25	9.25	15.50	69
	12000/12000Y	7525A67G08	100:1	0.3W, X, M Y, Z	11.25	9.25	15.50	69
	14400/14400Y	7525A67G10	120:1	0.3W, X, M Y, Z	11.25	9.25	15.50	69
VIZ-75 75 kV BIL 1 Fuse ④	2400/4160GY	7525A68G01	20:1	0.3W, X, M Y, Z	12.18	9.25	15.50	67
	4200/7280GY	7525A68G02	35:1	0.3W, X, M Y, Z	12.18	9.25	15.50	67
	4800/8320GY	7525A68G03	40:1	0.3W, X, M Y, Z	12.18	9.25	15.50	67
	7200/7200GY	7525A68G04	60:1	0.3W, X, M Y, Z	12.18	9.25	15.50	67

- ① Thermal and Accuracy ratings for at 120 V secondary voltage.
- ② Fluxed for line-to-line voltage; when connected line-to-ground, normal secondary voltage is 69.3 volts.
- ③ Switchgear style is similar to fused style except fuse, fuse clips, and secondary terminal cover are omitted.
- ④ One fully insulated primary terminal for line-to-ground connection only.

Optional Accessories for Line-to-Line Units:
Fuse kit to convert unfused VIZ-75 or VIZ-11 to fused style (two fuses and hardware) 7527A98G01

Optional Accessories for Line-to-Ground Units:
Fuse kit to convert unfused VIZ-75 or VIZ-11 to fused style (one fuse and hardware) 7527A98G02

Replacement Fuses:
CLE-PT, 0.5E, 15.5 kV 677C452G03
CLE-PT, 1.0E, 15.5 kV 677C452G08

8.7 & 15 kV INDOOR VOLTAGE TRANSFORMERS

TYPES VIZ-75 and VIZ-11(CONT'D)

1VAP429551-DB



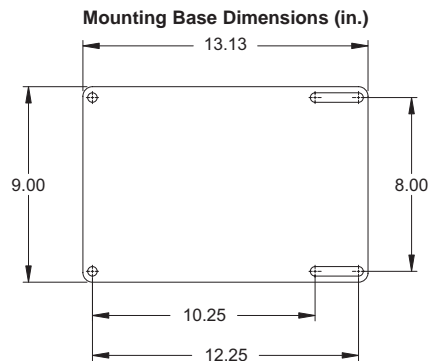
One Fuse

Indoor
75 kV and 110 kV BIL
60 Hertz

Thermal Rating: ①
1500 VA at 30° C
1000 VA at 55° C



Two Fuses



UL Recognized Component

	Primary Voltage	Style Number	Ratio	IEEE Metering Accuracy ①	Height (in.)	Width (in.)	Length (in.)	Weight (lb.)
VIZ-11 110 kV BIL 1 Fuse ④	7200/12470GY	7525A68G05	60:1	0.3W, X, M Y, Z	12.18	9.25	15.50	67
	8400/14560GY	7525A68G07	70:1	0.3W, X, M Y, Z	12.18	9.25	15.50	67
	12000/12000GY	7525A68G08	100:1	0.3W, X, M Y, Z	12.18	9.25	15.50	67
	14400/14400GY	7525A68G10	120:1	0.3W, X, M Y, Z	12.18	9.25	15.50	67
VIZ-75 75 kV BIL Switchgear Style ③	2400/4160Y	7525A70G01	20:1	0.3W, X, M Y, Z	9.00	9.25	13.12	65
	4200/7280Y	7525A70G02	35:1	0.3W, X, M Y, Z	9.00	9.25	13.12	65
	4800/8320Y	7525A70G03	40:1	0.3W, X, M Y, Z	9.00	9.25	13.12	65
	7200/7200Y	7525A70G04	60:1	0.3W, X, M Y, Z	9.00	9.25	13.12	65
VIZ-11 110 kV BIL Switchgear Style ③	7200/12470Y	7525A70G05	60:1	0.3W, X, M Y, Z	9.00	9.25	13.12	65
	8400/14560Y	7525A70G07	70:1	0.3W, X, M Y, Z	9.00	9.25	13.12	65
	12000/12000Y	7525A70G08	100:1	0.3W, X, M Y, Z	9.00	9.25	13.12	65
	14400/14400Y	7525A70G10	120:1	0.3W, X, M Y, Z	9.00	9.25	13.12	65
VIZ-75 75 kV BIL Switchgear Style ③④	2400/4160GY	7525A71G01	20:1	0.3W, X, M Y, Z	9.81	9.25	13.12	65
	4200/7280GY	7525A71G02	35:1	0.3W, X, M Y, Z	9.81	9.25	13.12	65
	4800/8320GY	7525A71G03	40:1	0.3W, X, M Y, Z	9.81	9.25	13.12	65
	7200/7200GY ②	7525A71G04	60:1	0.3W, X, M Y, Z	9.81	9.25	13.12	65
VIZ-11 110 kV BIL Switchgear Style ③④	7200/12470GY	7525A71G05	60:1	0.3W, X, M Y, Z	9.81	9.25	13.12	65
	8400/14560GY	7525A71G07	70:1	0.3W, X, M Y, Z	9.81	9.25	13.12	65
	12000/12000GY ②	7525A71G08	100:1	0.3W, X, M Y, Z	9.81	9.25	13.12	65
	14400/14400GY ②	7525A71G10	120:1	0.3W, X, M Y, Z	9.81	9.25	13.12	65

- ① Thermal and Accuracy ratings for at 120 V secondary voltage.
- ② Fluxed for line-to-line voltage; when connected line-to-ground, normal secondary voltage is 69.3 volts.
- ③ Switchgear style is similar to fused style except fuse, fuse clips, and secondary terminal cover are omitted.
- ④ One fully insulated primary terminal for line-to-ground connection only.

Optional Accessories for Line-to-Line Units:
Fuse kit to convert unfused VIZ-75 or VIZ-11 to fused style (two fuses and hardware) 7527A98G01

Optional Accessories for Line-to-Ground Units:
Fuse kit to convert unfused VIZ-75 or VIZ-11 to fused style (one fuse and hardware) 7527A98G02

Replacement Fuses:
CLE-PT, 0.5E, 15.5 kV 677C452G03
CLE-PT, 1.0E, 15.5 kV 677C452G08

15 kV INDOOR VOLTAGE TRANSFORMERS

TYPES VIL-95 and VIL-95S

1VAP429581-DB

Indoor
95 kV BIL
60 Hertz

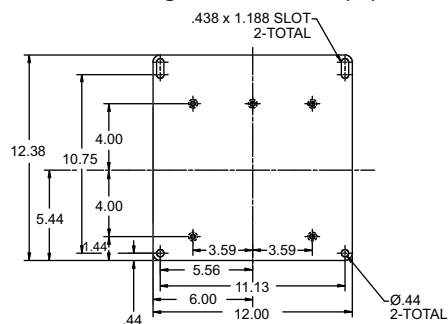


Thermal Rating:

VIL-95:
1500 VA at 30° C
1000 VA at 55° C

VIL-95S:
1000 VA at 30° C
500 VA at 55° C

Mounting Base Dimensions (in.)



Primary Voltage	Style Number	Ratio	IEEE Metering Accuracy	Height (in.)	Width (in.)	Length (in.)	Weight (lb.)
-----------------	--------------	-------	------------------------	--------------	-------------	--------------	--------------

Type VIL-95

2400/4160Y	7881A93G01	20:1	0.3Z	13.94	15.55	12.0	105
4200/7280Y	7881A93G02	35:1	0.3Z	13.94	15.55	12.0	105
4800/8320Y	7881A93G03	40:1	0.3Z	13.94	15.55	12.0	105
7200/12470Y	7881A93G04	60:1	0.3Z	13.94	15.55	12.0	105
7620/13200Y	7881A93G05	63.5:1	0.3Z	13.94	15.55	12.0	105
8400/14560Y	7881A93G06	70:1	0.3Z	13.94	15.55	12.0	105
12000/12000Y	7881A93G07	100:1	0.3Z	13.94	15.55	12.0	105
13200/13200Y	7881A93G08	110:1	0.3Z	13.94	15.55	12.0	105
14400/14400Y	7881A93G09	120:1	0.3Z	13.94	15.55	12.0	105

Type VIL-95S

2400/4160Y	7883A12G01	20:1	0.3Y	13.94	12.0	12.38	105
4200/7280Y	7883A12G02	35:1	0.3Y	13.94	12.0	12.38	105
4800/8320Y	7883A12G03	40:1	0.3Y	13.94	12.0	12.38	105
7200/12470Y	7883A12G04	60:1	0.3Y	13.94	12.0	12.38	105
7620/13200Y	7883A12G05	63.5:1	0.3Y	13.94	12.0	12.38	105
8400/14560Y	7883A12G06	70:1	0.3Y	13.94	12.0	12.38	105
12000/12000Y	7883A12G07	100:1	0.3Y	13.94	12.0	12.38	105
7970/13800Y	7883A12G08	110:1	0.3Y	13.94	12.0	12.38	105
6928/12000Y	7883A12G09	120:1	0.3Y	13.94	12.0	12.38	105

25 kV INDOOR VOLTAGE TRANSFORMERS

TYPES VIL-12 and VIL-12S

1VAP429581-DB

Indoor
125 kV BIL
60 Hertz

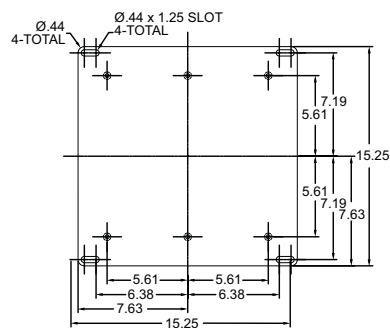


Thermal Rating:

VIL-12:
1500 VA at 30° C
1000 VA at 55° C

VIL-12S:
1000 VA at 30° C
500 VA at 55° C

Mounting Base Dimensions (in.)



Primary Voltage	Style Number	Ratio	IEEE Metering Accuracy	Height (in.)	Width (in.)	Length (in.)	Weight (lb.)
Type VIL-12							
7200/12470Y	923A362G01	60:1	0.3Z	16.13	15.55	15.25	210
7620/13200Y	923A362G02	63.5:1	0.3Z	16.13	15.55	15.25	210
8400/14560Y	923A362G03	70:1	0.3Z	16.13	15.55	15.25	210
12000/20780Y	923A362G04	100:1	0.3Z	16.13	15.55	15.25	210
14400/24940Y	923A362G05	120:1	0.3Z	16.13	15.55	15.25	210
18000/18000Y	923A362G06	150:1	0.3Z	16.13	15.55	15.25	210
24000/24000Y	923A362G07	200:1	0.3Z	16.13	15.55	15.25	210

Type VIL-12S							
7200/12470Y	923A363G01	60:1	0.3Y	16.13	15.25	15.25	210
7620/13200Y	923A363G02	63.5:1	0.3Y	16.13	15.25	15.25	210
8400/14560Y	923A363G03	70:1	0.3Y	16.13	15.25	15.25	210
12000/20780Y	923A363G04	100:1	0.3Y	16.13	15.25	15.25	210
14400/24940Y	923A363G05	120:1	0.3Y	16.13	15.25	15.25	210
18000/18000Y	923A363G06	150:1	0.3Y	16.13	15.25	15.25	210
24000/24000Y	923A363G07	200:1	0.3Y	16.13	15.25	15.25	210

25 kV INDOOR VOLTAGE TRANSFORMERS

TYPE VIZ-12

1VAP429762-DB

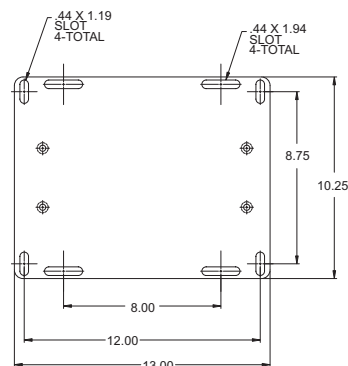
Indoor
125 kV BIL
60 Hertz

Thermal Rating:
2000 VA @ 30°C ambient
1500 VA @ 55°C ambient

IEEE Metering Accuracy:
0.3W, X, M, Y, Z & 1.2 ZZ



Mounting Base Dimensions (in.)



Fuse kit: Style number 9628A05G72 (for remote mounting)
Contains one type 0.5E, 25.5 kV CLE-PT fuse
(style #677C452G04) and hardware

	Primary Voltage	Winding Ratio	Style Number	Rated Voltage Factor	Height (in.)	Width (in.)	Length (in.)	Weight (lb.)
VIZ-12 Unfused	18000/18000Y	150:1	9628A33G01	1.1	10.50	10.25	13.0	110
	21000/21000Y	175:1	9628A33G02	1.1	10.50	10.25	13.0	110
	24000/24000Y	200:1	9628A33G03	1.1	10.50	10.25	13.0	110

TYPE VIZ-12G

1VAP429762-DB

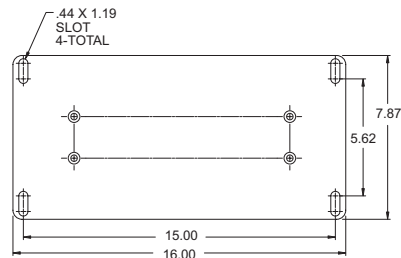
Indoor
125 kV BIL
60 Hertz

Thermal Rating:
1500 VA @ 30°C Ambient
750 VA @ 55°C Ambient

IEEE Metering Accuracy:
0.3 W, X, M, Y, & Z



Mounting Base Dimensions (in.)



Fuse kit to convert unfused VIZ-12G to fused style: 9628A05G68
Contains one type 0.5E, 25.5 kV CLE-PT fuse (style #677C452G04)
and hardware

	Primary Voltage	Winding Ratio	Style Number	Rated Voltage Factor	Height (in.)	Width (in.)	Length (in.)	Weight (lb.)
VIZ-12G Switchgear Style	12000/20780GY	100:1	7881A72G01	1.25	12.13	8.0	16.0	102
	14400/24940GY	120:1	7881A72G02	1.25	12.13	8.0	16.0	102
	16000/27600GY	133.33:1	7881A72G03	1.25	12.13	8.0	16.0	102
	18000/18000GY	150:1	7881A72G04	1.1	12.13	8.0	16.0	102
	14400/24940GY	120:1	7881A72G05	1.25	12.13	8.0	16.0	102
VIZ-12G Fused	12000/20780GY	100:1	7881A64G01	1.25	14.88	8.0	19.0	105
	14400/24940GY	120:1	7881A64G02	1.25	14.88	8.0	19.0	105

25 kV INDOOR VOLTAGE TRANSFORMERS

TYPE VIZ-15

1VAP429761-DB

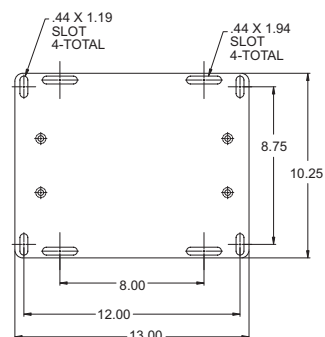
Indoor
150 kV BIL
50 & 60 Hertz

Thermal Rating:
2000 VA @ 30°C Ambient
1500 VA @ 55°C Ambient

IEEE Metering Accuracy:
0.3W, X, M, Y, Z, & 1.2 ZZ



Mounting Base Dimensions (in.)



Fuse kit: Style number 9628A05G86 (for remote mounting)
Contains one type 0.5E, 25.5 kV CLE-PT fuse
(style #677C452G04) and hardware

	Primary Voltage	Winding Ratio	Style Number	Rated Voltage Factor	Height (in.)	Width (in.)	Length (in.)	Weight (lb.)
VIZ-15 Unfused	27600/27600Y	240:1	9628A34G01	1.1	12.10	10.25	13.0	120
	34500/34500Y	300:1	9628A34G02	1.1	12.10	10.25	13.0	120
	24940/24940Y	207.83:1	9628A34G03	1.1	12.10	10.25	13.0	120
	12000/12000Y	100:1	9628A34G04	1.1	12.10	10.25	13.0	120
	24000/24000Y	200:1	9628A34G05	1.1	12.10	10.25	13.0	120
	26400/26400Y	220:1	9628A34G06	1.1	12.10	10.25	13.0	120

TYPE VIZ-15G

1VAP429761-DB

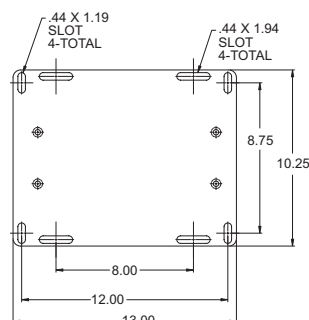
Indoor
150 kV BIL
50 & 60 Hertz

Thermal Rating:
2000 VA @ 30°C Ambient
1500 VA @ 55°C Ambient

IEEE Metering Accuracy:
0.3W, X, M, Y, and Z



Mounting Base Dimensions (in.)



Fuse kit to convert unfused VIZ-15G to fused style: 9628A05G89
Contains one type 0.5E, 25.5 kV CLE-PT fuse (style #677C452G04)
and hardware

	Primary Voltage	Winding Ratio	Style Number	Rated Voltage Factor	Height (in.)	Width (in.)	Length (in.)	Weight (lb.)
VIZ-15G Switchgear Style	12000/20780GY	100:1	9629A81G01	1.1	12.10	10.25	13.57	120
	14400/24940GY	120:1	9629A81G02	1.1	12.10	10.25	13.57	120
	19920/34500GY	166:1	9629A81G03	1.1	12.10	10.25	13.57	120
	24000/24000GY	200:1	9629A81G04	1.1	12.10	10.25	13.57	120
VIZ-15G Fused	12000/20780GY	100:1	9629A82G01	1.1	14.82	10.25	17.90	122
	14400/24940GY	120:1	9629A82G02	1.1	14.82	10.25	17.90	122
	16100/27900GY	140:1	9629A82G03	1.1	14.82	10.25	17.90	122
	24000/24000GY	200:1	9629A82G04	1.1	14.82	10.25	17.90	122

25 kV INDOOR VOLTAGE TRANSFORMERS

TYPES VIZZ-15 and VIZZ-15G

1VAP429591-DB

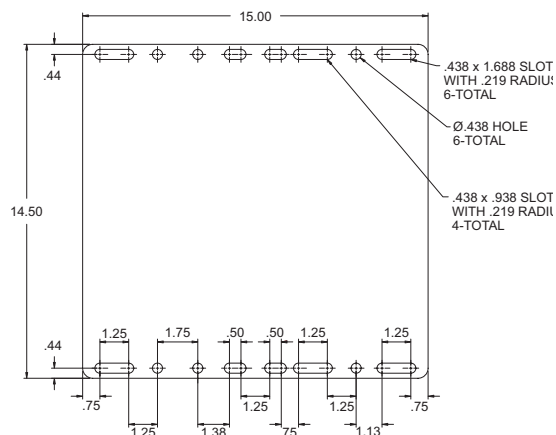
Indoor/Outdoor
150 kV BIL
60 Hertz

Thermal Rating:
3000 VA @ 30°C Ambient

Available at other ratios and
single tapped secondary or
double secondary



Mounting Base Dimensions (in.)



	Primary Voltage	Winding Ratio	Style Number	IEEE Metering Accuracy	Height (in.)	Width (in.)	Length (in.)	Weight (lb.)
VIZZ-15 Two bushings Stud terminal Single secondary	12000/20800Y	100:1	7525A81G01	0.3 W, X, M, Y, Z, ZZ	22.3	16	18.6	205
	14400/24940Y	120 & 120:1	7525A81G02	0.3 W, X, M, Y, Z, ZZ	22.3	16	18.6	205
	15600/15600Y	130:1	7525A81G12	0.3 W, X, M, Y, Z, ZZ	22.3	16	18.6	205
	18000/18000Y	150 & 150:1	7525A81G03	0.3 W, X, M, Y, Z, ZZ	22.3	16	18.6	205
	20000/20000Y	6.67:1	7525A81G05	0.3 W, X, M, Y, Z, ZZ	22.3	16	18.6	205
	24000/24000Y	200:1	7525A81G04	0.3 W, X, M, Y, Z, ZZ	22.3	16	18.6	205
VIZZ-15 Two bushings Stud terminal Double secondary	12000/20800Y	100:1	7526A47G02	0.3 W, X, M, Y, Z, ZZ	22.3	16	18.6	205
	14400/24940Y	120:1	7526A47G03	0.3 W, X, M, Y, Z, ZZ	22.3	16	18.6	205
	18000/18000Y	150 & 150:1	7526A47G04	0.3 W, X, M, Y, Z, ZZ	22.3	16	18.6	205
	22000/22000Y	183.3 & 183.3:1	7526A47G01	0.3 W, X, M, Y, Z, ZZ	22.3	16	18.6	205
	24000/24000Y	200:1	7526A47G05	0.3 W, X, M, Y, Z, ZZ	22.3	16	18.6	205
VIZZ-15 Two bushings Clamp terminal Single secondary	12000/20800Y	100:1	7525A82G01	0.3 W, X, M, Y, Z, ZZ	22.3	16	18.6	205
	14400/24940Y	120 & 120:1	7525A82G02	0.3 W, X, M, Y, Z, ZZ	22.3	16	18.6	205
	18000/18000Y	150 & 150:1	7525A82G03	0.3 W, X, M, Y, Z, ZZ	22.3	16	18.6	205
	21000/21000Y	175:1	7525A82G04	0.3 W, X, M, Y, Z, ZZ	22.3	16	18.6	205
VIZZ-15G One bushing Stud terminal Single secondary	12000/20800Y	100:1	7525A83G01	0.3 W, X, M, Y, Z, ZZ	22.3	15.6	18.6	205
	14400/24940Y	120:1	7525A83G02	0.3 W, X, M, Y, Z, ZZ	22.3	15.6	18.6	205
	20000/20000Y	166.67:1	7525A83G04	0.3 W, X, M, Y, Z, ZZ	22.3	15.6	18.6	205
	22000/22000Y	183.3:1	7525A83G06	0.3 W, X, M, Y, Z, ZZ	22.3	15.6	18.6	205
VIZZ-15G One bushing Stud terminal Double secondary	11500/20000Y	166.67 & 166.67:1	7883A29G03	0.3 W, X, M, Y, Z, ZZ	22.3	15.6	18.6	205
	13800/23900Y	200 & 200:1	7883A29G02	0.3 W, X, M, Y, Z, ZZ	22.3	15.6	18.6	205
	16800/29100Y	140 & 240:1	7883A29G01	0.3 W, X, M, Y, Z, ZZ	22.3	15.6	18.6	205
VIZZ-15G One bushing Clamp terminal Single secondary	12000/20800Y	100:1	7525A84G01	0.3 W, X, M, Y, Z, ZZ	22.3	15.6	18.6	205
	14400/24940Y	120:1	7525A84G02	0.3 W, X, M, Y, Z, ZZ	22.3	15.6	18.6	205
	18000/18000Y	150:1	7525A84G05	0.3 W, X, M, Y, Z, ZZ	22.3	15.6	18.6	205
	20000/20000Y	166.67:1	7525A84G03	0.3 W, X, M, Y, Z, ZZ	22.3	15.6	18.6	205
	24000/24000Y	200:1	7525A84G04	0.3 W, X, M, Y, Z, ZZ	22.3	15.6	18.6	205

34.5 kV INDOOR VOLTAGE TRANSFORMERS

TYPES VIZ-20 and VIZ-20G

1VAP429601-DB

Indoor
200 kV BIL

Thermal Rating:

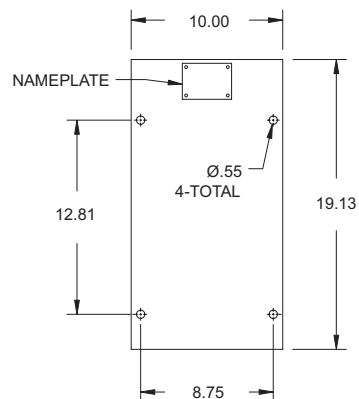
1000 VA @ 30°C Ambient
750 VA @ 55° C Ambient

IEEE Metering Accuracy:

0.3W, X, M, Y, and Z



Mounting Base Dimensions (in.)



Fuse kit to convert switchgear style VIZ-20 to fused style: 9628A05G90
(Contains two type CLE-PT fuses (0.5E, 38 kV) and hardware)

Fuse kit to convert switchgear style VIZ-20G to fused style: 9628A05G83
(Contains one type CLE-PT fuse (0.5E, 38 kV) and hardware)

Fuse 0.5E, 38 kV, style number 677C452G05

	Primary Voltage	Winding Ratio	Style Number ^①	Rated Voltage Factor	Height (in.)	Width (in.)	Length (in.)	Weight (lb.)
VIZ-20 Switchgear Style	20125/34500Y	175:1	7883A60G03	1.1	16.5	16.26	19.4	161
	27600/27600Y	240:1	7883A60G02	1.1	16.5	16.26	19.4	161
	34500/34500Y	300:1	7883A60G01	1.1	16.5	16.26	19.4	161
VIZ-20 Fused	20125/34500Y	175:1	7883A40G03	1.1	16.5	16.26	19.4	165
	27600/27600Y	240:1	7883A40G02	1.1	16.5	16.26	19.4	165
	34500/34500Y	300:1	7883A40G01	1.1	16.5	16.26	19.4	165
VIZ-20G Switchgear Style	20125/34500GY	175:1	7883A61G01	1.4	16.5	10.0	19.4	148
	34500/34500GY	300:1	7883A61G02	1.1	16.5	10.0	19.4	148
	19942/34500GY	289:1	7883A61G04	1.1	16.5	10.0	19.4	148
	16100/27900GY	240:1	7883A61G05	1.4	16.5	10.0	19.4	148
VIZ-20G Fused	20125/34500GY	175:1	7883A41G01	1.4	16.5	10.0	19.4	150
	34500/34500GY	300:1	7883A41G02	1.1	16.5	10.0	19.4	150
	24000/24000GY	200:1	7883A41G05	1.4	16.5	10.0	19.4	150
	25000/25000GY	208.33:1	7883A41G06	1.1	16.5	10.0	19.4	150
	26400/26400GY	220:1	7883A41G07	1.1	16.5	10.0	19.4	150
	24900/24900GY	207.5:1	7883A41G08	1.1	16.5	10.0	19.4	150
	28800/28800GY	240:1	7883A41G09	1.1	16.5	10.0	19.4	150
	27600/27600GY	240:1	7883A41G10	1.1	16.5	10.0	19.4	150

^① Available in double secondary and tapped secondary designs.

25 kV OUTDOOR VOLTAGE TRANSFORMERS

TYPES VOY-15 and VOY-15G (HCEP)

1VAP429701-DB

Outdoor
150 kV BIL
60 Hertz

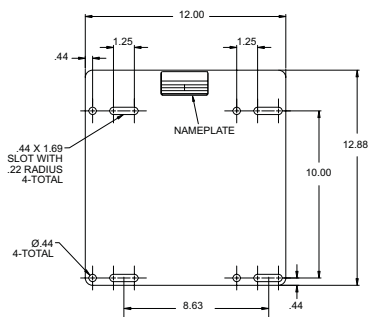
Thermal Rating:
1000 VA at 30° Ambient

Creep:
VOY-15: 38.0" (965 mm)
VOY-15G: 33.6" (853 mm)



Note: These units now insulated with HCEP material.
Refer to page 80 for more details.

Mounting Base Dimensions (in.)



	Primary Voltage	Ratio	Style Number	IEEE Meter Accuracy	Height (in.)	Width (in.)	Length (in.)	Weight (lb.)
VOY-15 150 kV BIL	12000/20780Y	100:1	E-7526A62G01	0.3W, X, M, Y	19.00	15.97	16.94	125
	14400/24940Y	120:1	E-7526A62G02	0.3W, X, M, Y	19.00	15.97	16.94	125
	18000/18000Y	150:1	E-7526A62G03	0.3W, X, M, Y	19.00	15.97	16.94	125
	20000/20000Y	166.7:1	E-7526A62G04	0.3W, X, M, Y	19.00	15.97	16.94	125
	24000/24000Y	200:1	E-7526A62G05	0.3W, X, M, Y	19.00	15.97	16.94	125
VOY-15G 150 kV BIL	7620/13200GY	63.5:1	E-7526A63G08	0.3W, X, M, Y	19.00	15.41	16.94	120
	12000/20780GY	100:1	E-7526A63G01	0.3W, X, M, Y	19.00	15.41	16.94	120
	13200/22860GY	110:1	E-7526A63G06	0.3W, X, M, Y	19.00	15.41	16.94	120
	14400/24940GY	120:1	E-7526A63G02	0.3W, X, M, Y	19.00	15.41	16.94	120
	20125/34500GY	175:1	E-7526A63G18	0.3W, X, M, Y	19.00	15.41	16.94	120

TYPES VOY-15 and VOY-15G (PUR)

PB 42-970

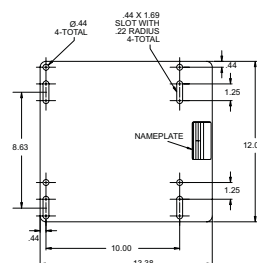
Outdoor
150 kV BIL
60 Hertz

Thermal Rating:
1000 VA at 30° Ambient

Creep:
VOY-15: 27.25" (692 mm)
VOY-15G: 27.50" (698 mm)



Mounting Base Dimensions (in.)



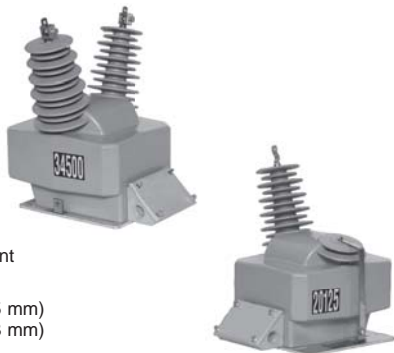
	Primary Voltage	Ratio	Style Number	IEEE Meter Accuracy	Height (in.)	Width (in.)	Length (in.)	Weight (lb.)
VOY-15 150 kV BIL	12000/20780Y	100:1	7526A62G01	0.3W, X, M, Y	19.00	15.88	16.94	148
	14400/24940Y	120:1	7526A62G02	0.3W, X, M, Y	19.00	15.88	16.94	148
	18000/18000Y	150:1	7526A62G03	0.3W, X, M, Y	19.00	15.88	16.94	148
	20000/20000Y	166.7:1	7526A62G04	0.3W, X, M, Y	19.00	15.88	16.94	148
	24000/24000Y	200:1	7526A62G05	0.3W, X, M, Y	19.00	15.88	16.94	148
VOY-15G 150 kV BIL	7620/13200GY	63.5:1	7526A63G08	0.3W, X, M, Y	19.00	11.75	16.94	142
	12000/20780GY	100:1	7526A63G01	0.3W, X, M, Y	19.00	11.75	16.94	142
	13200/22860GY	110:1	7526A63G06	0.3W, X, M, Y	19.00	11.75	16.94	142
	14400/24940GY	120:1	7526A63G02	0.3W, X, M, Y	19.00	11.75	16.94	142
	20125/34500GY	175:1	7526A63G18	0.3W, X, M, Y	19.00	11.75	16.94	142

36 kV OUTDOOR VOLTAGE TRANSFORMERS

TYPES VOY-20 and VOY-20G (HCEP)

1VAP429701-DB

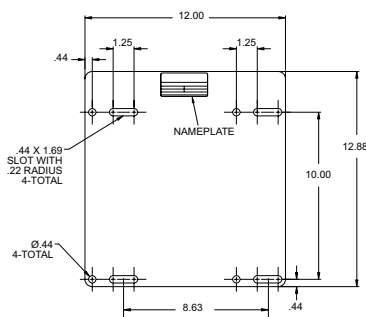
Outdoor
200 kV BIL
60 Hertz



Thermal Rating:
1000 VA at 30° Ambient

Creep:
VOY-20: 38.0" (965 mm)
VOY-20G: 33.6" (853 mm)

Mounting Base Dimensions (in.)

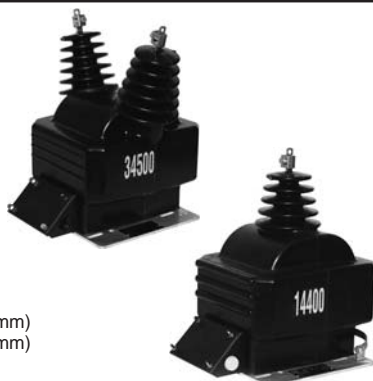


	Primary Voltage	Winding Ratio	Style Number	IEEE Meter Accuracy	Height (in.)	Width (in.)	Length (in.)	Weight (lb.)
VOY-20 200 kV BIL	27600/27600Y	240:1	E-7881A82G03	0.3 W, X, M, Y	19.0	15.97	16.94	125
	35400/34500Y	275:1	E-7881A82G04	0.3 W, X, M, Y	19.0	15.97	16.94	125
VOY-20G 200 kV BIL	20125/34500GY	175/300:1	E-7526A55G01	0.3 W, X, M, Y	19.0	15.41	16.93	120

TYPES VOY-20 and VOY-20G (PUR)

PB 42-970

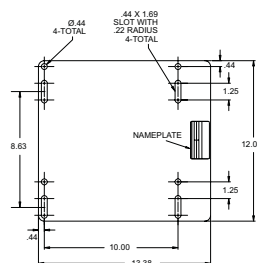
Outdoor
200 kV BIL
60 Hertz



Thermal Rating:
1000 VA at 30° Ambient

Creep:
VOY-20: 27.25" (692 mm)
VOY-20G: 27.50" (698 mm)

Mounting Base Dimensions (in.)



	Primary Voltage	Winding Ratio	Style Number	IEEE Meter Accuracy	Height (in.)	Width (in.)	Length (in.)	Weight (lb.)
VOY-20 200 kV BIL	27600/27600Y	240:1	7881A82G03	0.3 W, X, M, Y	19.0	15.97	16.94	148
	35400/34500Y	275:1	7881A82G04	0.3 W, X, M, Y	19.0	15.97	16.94	148
VOY-20G 200 kV BIL	20125/34500GY	175/300:1	7526A55G01	0.3 W, X, M, Y	19.0	15.42	16.93	142

25-36 kV OUTDOOR VOLTAGE TRANSFORMERS

TYPES VOHD-200 and VOHD-200G

PB 42-977

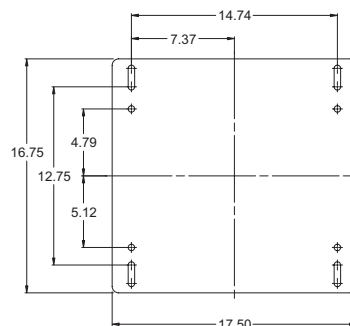
Outdoor
200 kV BIL
60 Hertz



Thermal Rating:
1000 VA at 30° Ambient

Creep:
VOHD-200: 37.50" (952 mm)
VOHD-200G: 37.75" (958 mm)

Mounting Base Dimensions (in.)



	Primary Voltage	Ratio	Style Number ^①	IEEE Meter Accuracy	Height (in.)	Width (in.)	Length (in.)	Weight (lb.)
VOHD-200 200 kV BIL Two bushings	20125/34500Y	175/300:1	7882A31G01	0.3W, X, M, Y (full & tap)	22.6	18.9	20.0	255
	27600/27600Y	240/400:1	7882A31G02	0.3W, X, M, Y (full & tap)	22.6	18.9	20.0	255
	34500/34500Y	300/500:1	7882A31G03	0.3W, X, M, Y (full & tap)	22.6	18.9	20.0	255
VOHD-200G 200 kV BIL One bushing	20125/34500Y	175/300:1	9629A95G01	0.3W, X, M, Y (full & tap)	23.3	16.1	20.0	245

TYPES VOZZ-15 and VOZZ-15G

Outdoor
150 kV BIL
60 Hertz

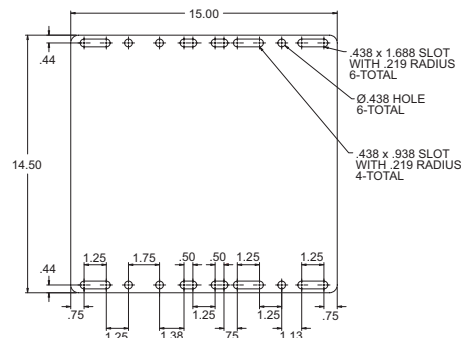


Thermal Rating:
3000 VA at 30° Ambient

Creep:
VOHD-200: 37.50" (953 mm)
VOHD-200G: 37.75" (959 mm)

Available with double secondaries and tapped double secondaries.

Mounting Base Dimensions (in.)



	Primary Voltage	Ratio	Style Number ^①	IEEE Meter Accuracy	Height (in.)	Width (in.)	Length (in.)	Weight (lb.)
VOZZ-15 150 kV BIL Two bushings	12000/20800Y	100:1	7525A93G01	0.3W, X, M, Y, Z, ZZ	23.0	16.1	17.6	205
	14400/24940Y	120:1	7525A93G02	0.3W, X, M, Y, Z, ZZ	23.0	16.1	17.6	205
	18000/18000Y	150:1	7525A93G03	0.3W, X, M, Y, Z, ZZ	23.0	16.1	17.6	205
	24000/24000Y	200:1	7525A93G04	0.3W, X, M, Y, Z, ZZ	23.0	16.1	17.6	205
VOZZ-15G 150 kV BIL One bushing	12000/20800GY	100:1	7525A98G01	0.3W, X, M, Y, Z, ZZ	23.0	15.6	17.6	202
	14400/24940GY	120:1	7525A98G02	0.3W, X, M, Y, Z, ZZ	23.0	15.6	17.6	202

^① Style includes clamp-type primary terminals. Stud-type available for spade terminals.

36 kV OUTDOOR VOLTAGE TRANSFORMERS

PB 42-979

TYPES VOZZ-20 and VOZZ-20G

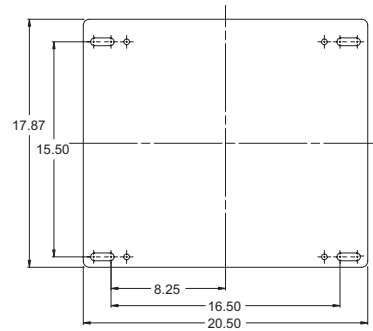
Outdoor
200 kV BIL
60 Hertz

Thermal Rating:
3000 VA at 30° Ambient

Creep:
VOZZ-20:
41.0" (1040 mm)
VOZZ-20G:
41.875" (1063 mm)



Mounting Base Dimensions (in.)



	Primary Voltage	Ratio	Style Number ^①	IEEE Meter Accuracy	Height (in.)	Width (in.)	Length (in.)	Weight (lb.)
VOZZ-20 200 kV BIL Two bushings	27600/27600Y	240 & 240:1	9629A96G02	0.3W, X, M, Y, Z, & ZZ	26.0	18.1	24.3	380
	34500/34500Y	300 & 300:1	9629A96G01	0.3W, X, M, Y, Z, & ZZ	26.0	18.1	24.3	380
VOZZ-20G 200 kV BIL One bushing	20125/34500GY	175/300:1 & 175/300:1	9629A97G01	0.3W, X, M, Y, Z, & ZZ	26.7	17.0	24.3	380
	20125/34500GY	175/300:1	7882A42G01	0.3W, X, M, Y, Z, & ZZ	26.7	17.0	24.3	380

^① Style includes clamp-type primary terminals. Stud-type available for spade terminals.

CONTROL POWER TRANSFORMERS

TYPE CPT-IK-5

PB 1VAP600001-DB

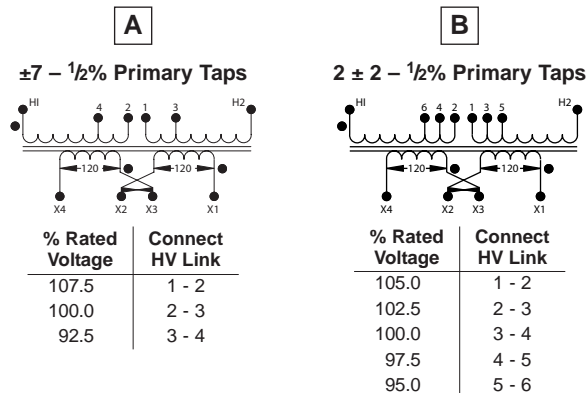
Indoor
5 kVA, 5 kV and 15 kV Class
60 Hertz

Approximate weight is 130 lb.



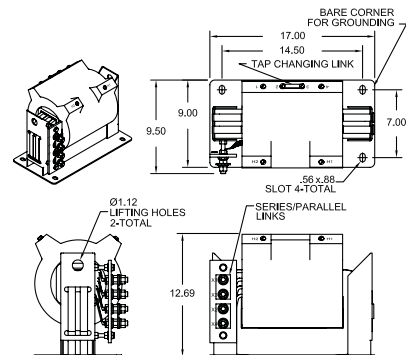
UL Recognized Component

Connections



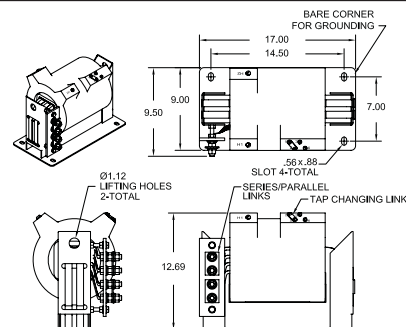
Style Number	kVA	Voltage Class	Primary Rating	Secondary Voltage	Taps
CPTA-60-5-2400-D146	5	5 kV	2400	120/240	A
CPTA-60-5-4160-D146	5	5 kV	4160	120/240	A
CPTA-60-5-4800-D146	5	5 kV	4800	120/240	A
CPTA-95-5-7200-D146	5	15 kV	7200	120/240	A
CPTA-95-5-8400-D146	5	15 kV	8400	120/240	A
CPTA-95-5-12000-D146	5	15 kV	12000	120/240	A
CPTA-95-5-12470-D146	5	15 kV	12470	120/240	A
CPTA-95-5-13200-D146	5	15 kV	13200	120/240	A
CPTA-95-5-13800-D146	5	15 kV	13800	120/240	A
CPTA-95-5-14400-D146	5	15 kV	14400	120/240	A

4 In-Line Tap Configuration



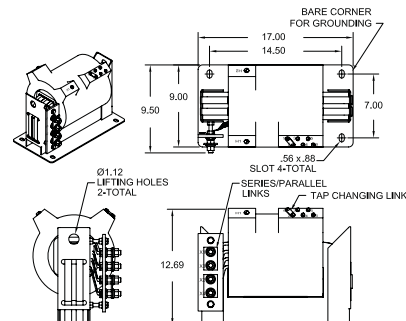
Style Number	kVA	Voltage Class	Primary Rating	Secondary Voltage	Taps
CPTA-60-5-2400-D148	5	5 kV	2400	120/240	A
CPTA-60-5-4160-D148	5	5 kV	4160	120/240	A
CPTA-60-5-4800-D148	5	5 kV	4800	120/240	A
CPTA-95-5-7200-D148	5	15 kV	7200	120/240	A
CPTA-95-5-8400-D148	5	15 kV	8400	120/240	A
CPTA-95-5-12000-D148	5	15 kV	12000	120/240	A
CPTA-95-5-12470-D148	5	15 kV	12470	120/240	A
CPTA-95-5-13200-D148	5	15 kV	13200	120/240	A
CPTA-95-5-13800-D148	5	15 kV	13800	120/240	A
CPTA-95-5-14400-D148	5	15 kV	14400	120/240	A

4 Multi-Tap Configuration



Style Number	kVA	Voltage Class	Primary Rating	Secondary Voltage	Taps
CPTB-60-5-2400-D150	5	5 kV	2400	120/240	B
CPTB-60-5-4160-D150	5	5 kV	4160	120/240	B
CPTB-60-5-4800-D150	5	5 kV	4800	120/240	B
CPTB-95-5-7200-D150	5	15 kV	7200	120/240	B
CPTB-95-5-8400-D150	5	15 kV	8400	120/240	B
CPTB-95-5-12000-D150	5	15 kV	12000	120/240	B
CPTB-95-5-12470-D150	5	15 kV	12470	120/240	B
CPTB-95-5-13200-D150	5	15 kV	13200	120/240	B
CPTB-95-5-13800-D150	5	15 kV	13800	120/240	B
CPTB-95-5-14400-D150	5	15 kV	14400	120/240	B

6 Multi-Tap Configuration



CONTROL POWER TRANSFORMERS

TYPE CPT-IK-10 & CPT-IK-15

PB 1VAP600002-DB

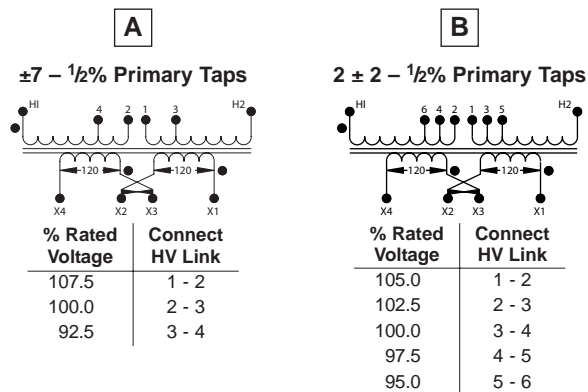
Indoor
10 and 15 kVA
5 kV and 15 kV Class
60 Hertz

Approximate weight is 230 lb.



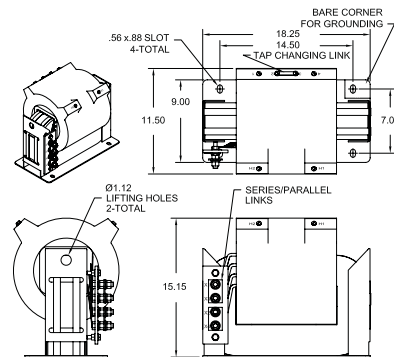
UL Recognized Component

Connections



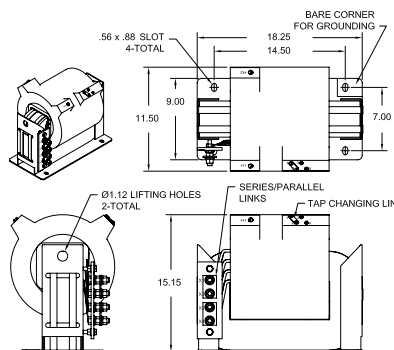
Style Number	kVA	Voltage Class	Primary Rating	Secondary Voltage	Taps
CPTA-60-10-2400-D147	10	5 kV	2400	120/240	A
CPTA-60-10-4160-D147	10	5 kV	4160	120/240	A
CPTA-60-10-4800-D147	10	5 kV	4800	120/240	A
CPTA-95-10-7200-D147	10	15 kV	7200	120/240	A
CPTA-95-10-8400-D147	10	15 kV	8400	120/240	A
CPTA-95-10-12000-D147	10	15 kV	12000	120/240	A
CPTA-95-10-12470-D147	10	15 kV	12470	120/240	A
CPTA-95-10-13200-D147	10	15 kV	13200	120/240	A
CPTA-95-10-13800-D147	10	15 kV	13800	120/240	A
CPTA-95-10-14400-D147	10	15 kV	14400	120/240	A
CPTA-60-15-2400-D147	15	5 kV	2400	120/240	A
CPTA-60-15-4160-D147	15	5 kV	4160	120/240	A
CPTA-60-15-4800-D147	15	5 kV	4800	120/240	A
CPTA-95-15-7200-D147	15	15 kV	7200	120/240	A
CPTA-95-15-8400-D147	15	15 kV	8400	120/240	A
CPTA-95-15-12000-D147	15	15 kV	12000	120/240	A
CPTA-95-15-12470-D147	15	15 kV	12470	120/240	A
CPTA-95-15-13200-D147	15	15 kV	13200	120/240	A
CPTA-95-15-13800-D147	15	15 kV	13800	120/240	A
CPTA-95-15-14400-D147	15	15 kV	14400	120/240	A

4 In-Line Tap Configuration



Style Number	kVA	Voltage Class	Primary Rating	Secondary Voltage	Taps
CPTA-60-10-2400-D149	10	5 kV	2400	120/240	A
CPTA-60-10-4160-D149	10	5 kV	4160	120/240	A
CPTA-60-10-4800-D149	10	5 kV	4800	120/240	A
CPTA-95-10-7200-D149	10	15 kV	7200	120/240	A
CPTA-95-10-8400-D149	10	15 kV	8400	120/240	A
CPTA-95-10-12000-D149	10	15 kV	12000	120/240	A
CPTA-95-10-12470-D149	10	15 kV	12470	120/240	A
CPTA-95-10-13200-D149	10	15 kV	13200	120/240	A
CPTA-95-10-13800-D149	10	15 kV	13800	120/240	A
CPTA-95-10-14400-D149	10	15 kV	14400	120/240	A
CPTA-60-15-2400-D149	15	5 kV	2400	120/240	A
CPTA-60-15-4160-D149	15	5 kV	4160	120/240	A
CPTA-60-15-4800-D149	15	5 kV	4800	120/240	A
CPTA-95-15-7200-D149	15	15 kV	7200	120/240	A
CPTA-95-15-8400-D149	15	15 kV	8400	120/240	A
CPTA-95-15-12000-D149	15	15 kV	12000	120/240	A
CPTA-95-15-12470-D149	15	15 kV	12470	120/240	A
CPTA-95-15-13200-D149	15	15 kV	13200	120/240	A
CPTA-95-15-13800-D149	15	15 kV	13800	120/240	A
CPTA-95-15-14400-D149	15	15 kV	14400	120/240	A

4 Multi-Tap Configuration



CONTROL POWER TRANSFORMERS

TYPE CPT-IK-15 CONT'D.

PB 1VAP600002-DB

Indoor
10 and 15 kVA
5 kV and 15 kV Class
60 Hertz

Approximate weight is 230 lb.

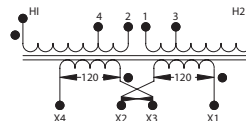


UL Recognized Component

Connections

A

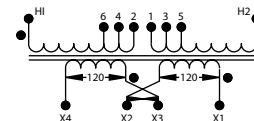
$\pm 7 - 1/2\%$ Primary Taps



% Rated Voltage	Connect HV Link
107.5	1 - 2
100.0	2 - 3
92.5	3 - 4

B

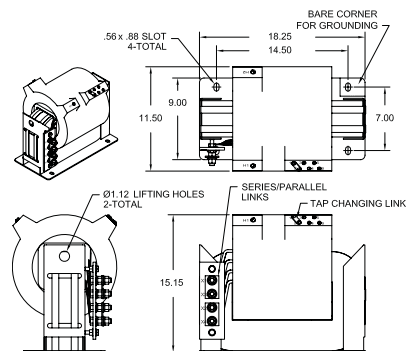
$2 \pm 2 - 1/2\%$ Primary Taps



% Rated Voltage	Connect HV Link
105.0	1 - 2
102.5	2 - 3
100.0	3 - 4
97.5	4 - 5
95.0	5 - 6

Style Number	kVA	Voltage Class	Primary Rating	Secondary Voltage	Taps
CPTB-60-10-2400-D151	10	5 kV	2400	120/240	B
CPTB-60-10-4160-D151	10	5 kV	4160	120/240	B
CPTB-60-10-4800-D151	10	5 kV	4800	120/240	B
CPTB-95-10-7200-D151	10	15 kV	7200	120/240	B
CPTB-95-10-8400-D151	10	15 kV	8400	120/240	B
CPTB-95-10-12000-D151	10	15 kV	12000	120/240	B
CPTB-95-10-12470-D151	10	15 kV	12470	120/240	B
CPTB-95-10-13200-D151	10	15 kV	13200	120/240	B
CPTB-95-10-13800-D151	10	15 kV	13800	120/240	B
CPTB-95-10-14400-D151	10	15 kV	14400	120/240	B
CPTB-60-15-2400-D151	15	5 kV	2400	120/240	B
CPTB-60-15-4160-D151	15	5 kV	4160	120/240	B
CPTB-60-15-4800-D151	15	5 kV	4800	120/240	B
CPTB-95-15-7200-D151	15	15 kV	7200	120/240	B
CPTB-95-15-8400-D151	15	15 kV	8400	120/240	B
CPTB-95-15-12000-D151	15	15 kV	12000	120/240	B
CPTB-95-15-12470-D151	15	15 kV	12470	120/240	B
CPTB-95-15-13200-D151	15	15 kV	13200	120/240	B
CPTB-95-15-13800-D151	15	15 kV	13800	120/240	B
CPTB-95-15-14400-D151	15	15 kV	14400	120/240	B

6 Multi-Tap Configuration



CIRCUIT BREAKER APPLICATION GUIDE

Application of ABB CTs with Low Voltage Circuit Breakers		
Breaker Type	Breaker Frame Size	ABB CT Type
CUTLER-HAMMER		
DS	800 A	IMC, SCN
	1600 & 3000 A	SCL, SCM
	800 & 2000 A	DSM-16
	3200 A	DSM-32
	4000 A	DSM-40
SIEMENS		
RL-800	800 A	SCS-1R & 1M
RLX-800	800 A	SCS-2R & 2M
RL-1600	1600 A	SCS-2R & 2M
RL-2000	2000 A	SCS-2R & 2M
RL-3200	3200 A	SCJ-1R & 1M
RL-4000	4000 A	SCJ-2R & 2M
Breaker Type		ABB CT Type
GENERAL ELECTRIC		
Molded Case Draw-out	IMC, SCN	
Molded Case Draw-out	SCN	
Molded Case Draw-out	SCL, SCM	
AKR	SCN, SCN-D (in bus compartment)	
AKR	SCN, SCN-D (in bus compartment)	

Application of ABB CTs with Medium Voltage Circuit Breakers		
Breaker Type	Breaker Current Rating	ABB CT Type
ABB		
15 VHK	1200 A 2000 A	SAB-1, SAB-1D
	3000 A	SAB-2, SAB-2D
5 VHK 250/350	26" wide 36" wide	AB-5 SAB-1
ADVAC		
5	1200, 2000, 3000	SAB-1
15	1200, 2000, 3000	
27	1200, 2000, 3000	
CUTLER-HAMMER		
50 DHP 75	1200 A	RCT-5, RTL-5, SCN-D
50 DHP 250 50 DHP 350	1200 A	RCT-5, RTL-5, SCN-D, SCG-4, SCG-5
	2000 A	RCT-5, RTL-5
	3000 A	
75 DHP 500 150 DHP 500 150 DHP 750 150 DHP 1000	1200 A	RCT-15, RTL-15, RTL-7, SCL-D, SCO
	2000 A	
	3000 A	RCT-7, RTL-7
All VCP Vacuum Breakers	All	SCV, SCV-D
SIEMENS		
MA 250 MA 350	1200 A	SCG-5, SCN, SCN-D, SCG-5
	2000 A	SCG-5
FA 350	3000 A	Consult factory
FB 500 FC 500 FC 750 FC 1000	1200 A 2000 A	SCL-D, SCO
	3000 A	Consult factory
H, GM 5 & 15 kV Vacuum	All	SCR, SCR-D
GENERAL ELECTRIC		
Power/VAC Vacuum Breakers	All	SCV, SCV-D
SQUARE D		
FG-2 Vacuum GB	All	SCV, SCV-D, SCD-2
5 & 15 kV SF6 & Vacuum Outdoor	All	SCD-2

COMPETITOR CROSS REFERENCE

600 VOLT CURRENT TRANSFORMERS		
ABB Type	GE/ITI Type	GE Type
IMC		JCH-0
SCE	170	
SCN	100	JAH-0 (thru 800A)
SCN-D	110	
SCH-1	296	
SCH-2	297	
SCH-3	298	
SCH-4	299	
SCH-5	300	
SCG-1	112	
SCG-2	113	
SCG-3	114	
SCG-4	115	
SCG-5	117	
SCM	125	
SCL	120	JAH-0 (above 800A)
SCL-D	130	
SCO	135	
SCJ-1	353	
SCJ-2	354	
SCS-1	351	
SCS-2	352	
SCP-1	144	
SCP-2	142	
SCP-3	140	
RCI-1	137	
RCI-2	139	
CLC		JAD-0
CLE		JCD-0
RLC		JCP-0
SCD-1	145	
SCD-2	143	
SCD-3	141	
SCB	306	
RCB	307	
SCA	308	
RCA	309	
DSM-16	350	
DSM-32	360	
DSM-40	365	
SCV	780	JAG-0
SCV-D	785	
RCT-5	720	
RTL-5	722	
RCT-15	730	
RTL-15	732	
SAB-1	622	
SAB-1D	624	
SAB-2	623	
SAB-2D	625	
SCR	680	
SCR-D	685	
AB-5	675	
PPD	460	
PPM	450	JVA-0
PPX	450	

5 - 15 kV CURRENT TRANSFORMERS		
ABB Type	GE/ITI Type	GE Type
KIR-60, 75, 11		JKM-3, 4, 5

5 - 34.5 kV CURRENT TRANSFORMERS		
ABB Type	GE/ITI Type	GE Type
VIIY-60	PT3	JVM-3
VIZ-75, 11	PT4, 5	JVM-4,5
VIZ-12G	PT6	
VIZ-12, 15	PT6, 7	
VIZ-20		
VIZZ-15		

STANDARD CURRENT TRANSFORMER MULTI-RATIO TAPS

Current Ratings (A)	Secondary Taps	Current Ratings (A)	Secondary Taps
600:5		3000:5	
50:5	X2-X3	300:5	X3-X4
100:5	X1-X2	500:5	X4-X5
150:5	X1-X3	800:5	X3-X5
200:5	X4-X5	1000:5	X1-X2
250:5	X3-X4	1200:5	X2-X3
300:5	X2-X4	1500:5	X2-X4
400:5	X1-X4	2000:5	X2-X5
450:5	X3-X5	2200:5	X1-X3
500:5	X2-X5	2500:5	X1-X4
600:5	X1-X5	3000:5	X1-X5
1200:5		4000:5	
100:5	X2-X3	500:5	X1-X2
200:5	X1-X2	1000:5	X3-X4
300:5	X1-X3	1500:5	X2-X3
400:5	X4-X5	2000:5	X1-X3
500:5	X3-X4	2500:5	X2-X4
600:5	X2-X4	3000:5	X1-X4
800:5	X1-X4	3500:5	X2-X5
900:5	X3-X5	4000:5	X1-X5
1000:5	X2-X5		
1200:5	X1-X5		
2000:5		5000:5	
300:5	X3-X4	500:5	X2-X3
400:5	X1-X2	1000:5	X4-X5
500:5	X4-X5	1500:5	X1-X2
800:5	X2-X3	2000:5	X3-X4
1100:5	X2-X4	2500:5	X2-X4
1200:5	X1-X3	3000:5	X3-X5
1500:5	X1-X4	3500:5	X2-X5
1600:5	X2-X5	4000:5	X1-X4
2000:5	X1-X5	5000:5	X1-X5

Ref: IEEE Std. C57.13 - 1993, Table 8

BURDEN STANDARDS

Current Transformer Standard Burden Characteristics (60 Hz and 5 Ampere Secondary)					
Burden Designation	Resistance Ohms	Inductance Millihenrys	Impedance Ohms	Volt-Amperes	Power Factor
Metering Burdens					
B-0.1	0.09	0.116	0.1	2.5	0.9
B-0.2	0.18	0.232	0.2	5.0	0.9
B-0.5	0.45	0.580	0.5	12.5	0.9
B-0.9	0.81	1.040	0.9	22.5	0.9
B-1.8	1.62	2.080	1.8	45.0	0.9
Relaying Burdens					
B-1	0.5	2.3	1.0	25	0.5
B-2	1.0	4.6	2.0	50	0.5
B-4	2.0	9.2	4.0	100	0.5
B-8	4.0	18.5	8.0	200	0.5
Voltage Transformer Standard Burden Characteristics					
Burden Designation	Secondary Volt-Amperes		Burden Power Factor		
W	12.5		0.10		
X	25.0		0.70		
M	35.0		0.20		
Y	75.0		0.85		
Z	200.0		0.85		
ZZ	400.0		0.85		



ABB Inc.

3022 NC 43 North
Pinetops, NC 27864 USA

For sales and marketing, contact your local
representative or:

Tel: +1-252-827-3212
Fax: +1-252-827-4286
www.abb.com/mediumvoltage